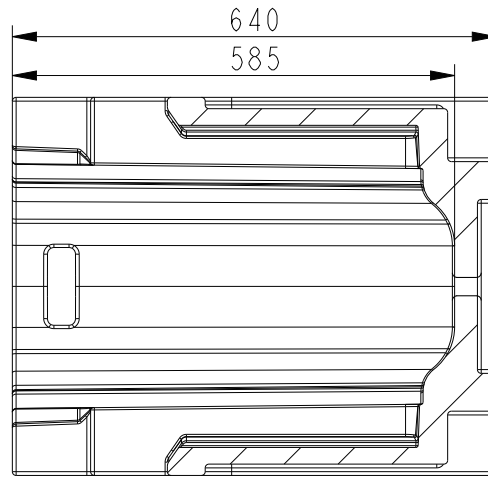
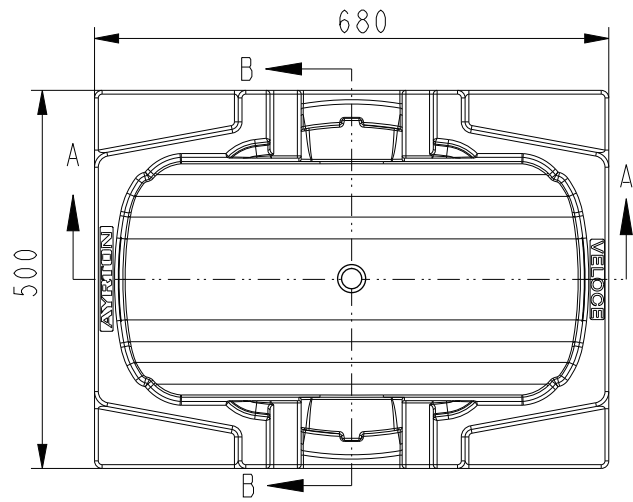


Dimension tolerance (millimetre)

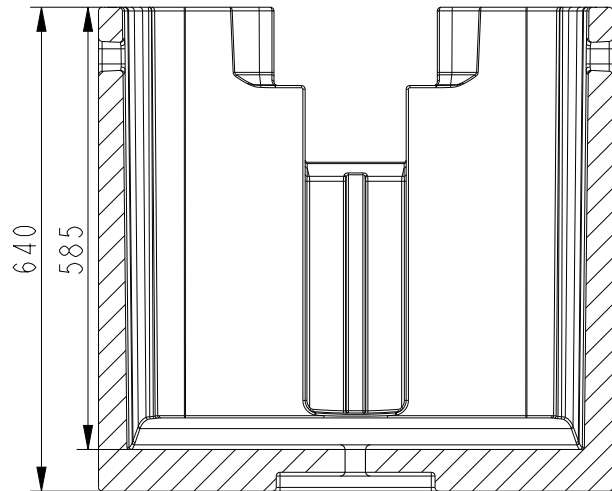
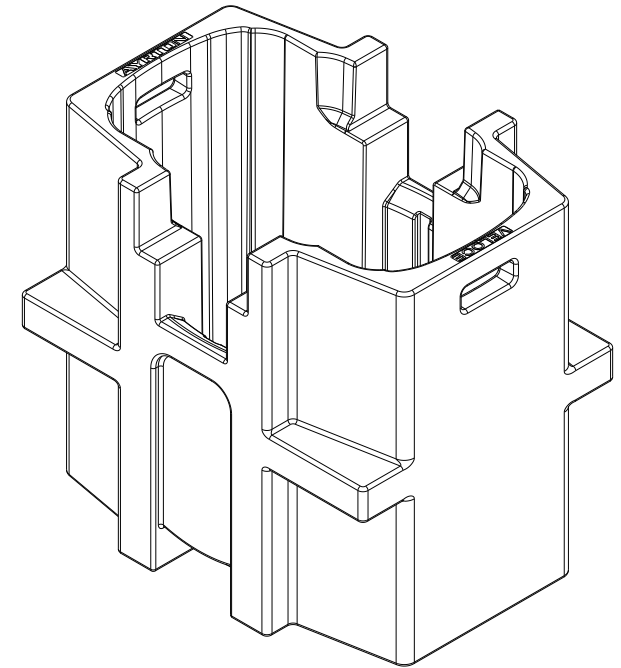
Version

± 5



1.0

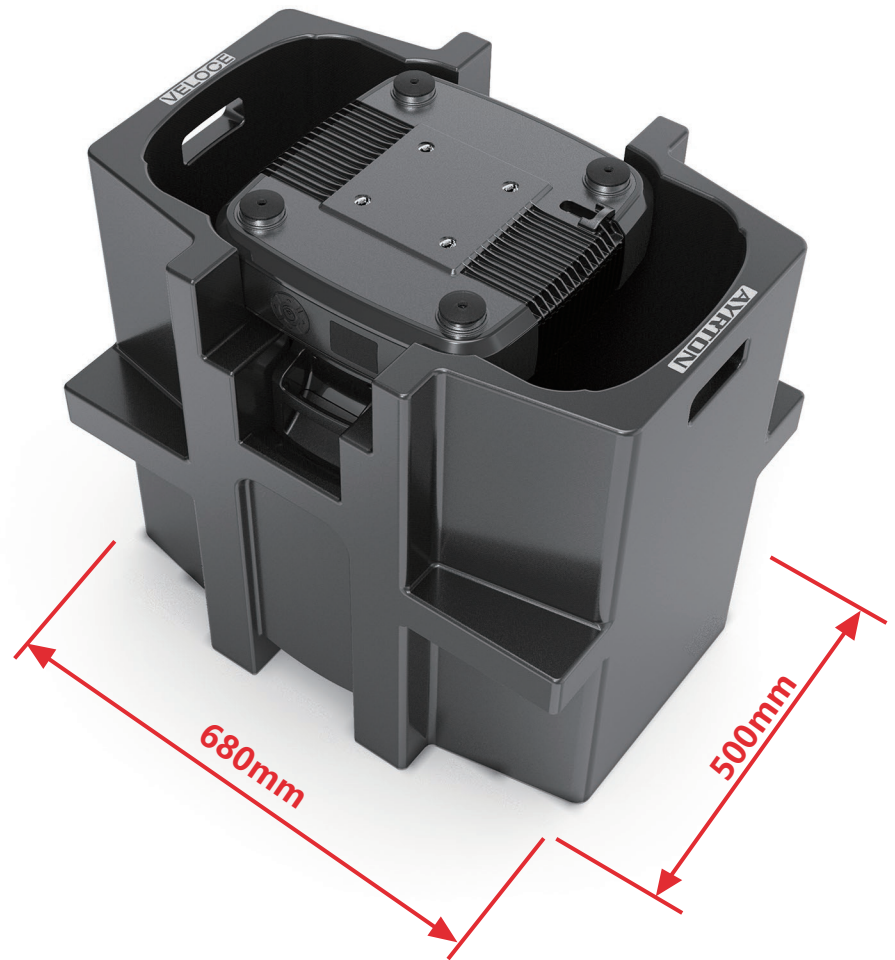
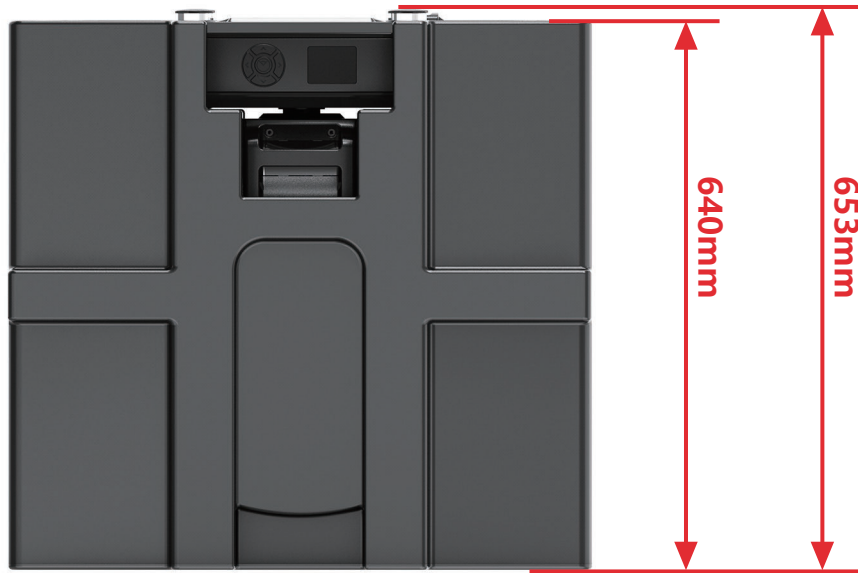


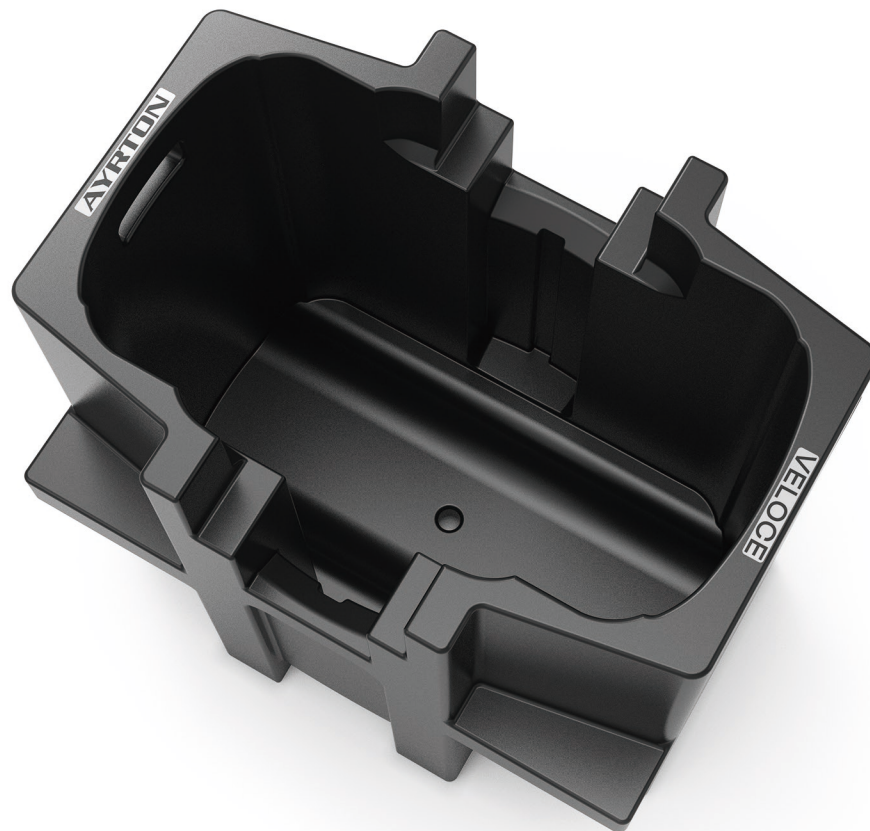
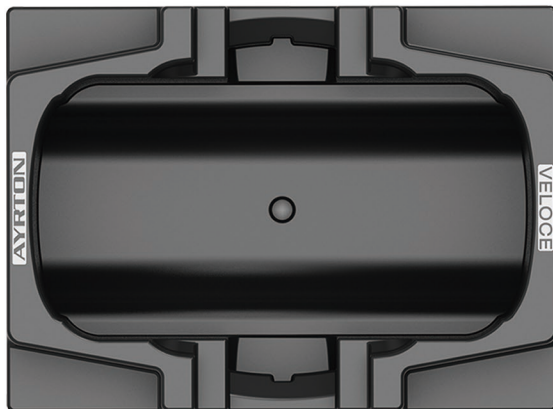
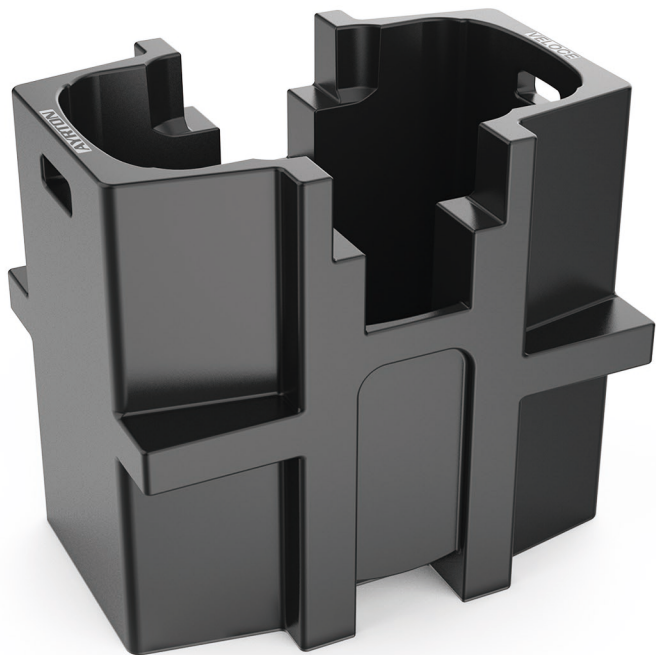
Section: B-B



Section: A-A

| | | | | | |
|--------------|------|-----------------|---|-------------|--|
| | | | | | |
| | | | | — | — |
| Indice | Date | Created by | Modification : | Approved on | Approved by |
| Logiciel : | | Observation : - | | | |
| Project: S19 | | | Project Name : | Code: |  AYRTON Digital Lighting |
| A4 | | | Scale: 1/10  | | |
| | | Material: | www.ayrton.eu | | |





PU 箱尺寸 :680x500x640MM