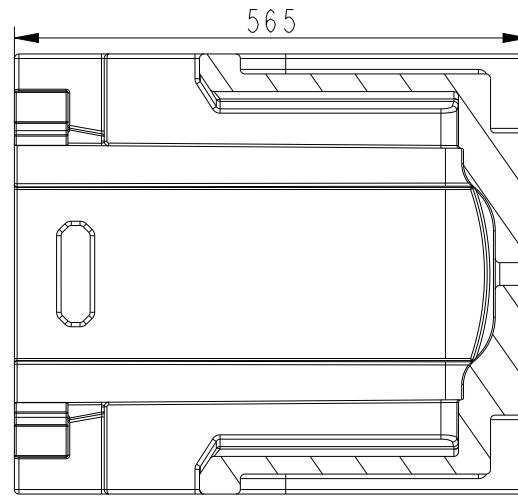
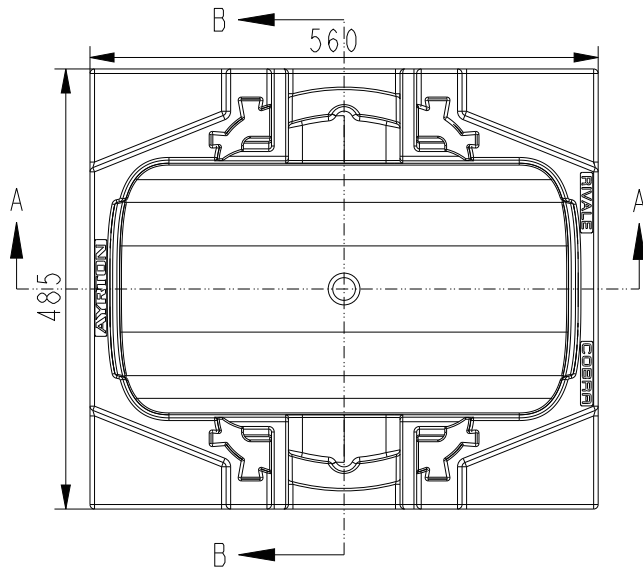
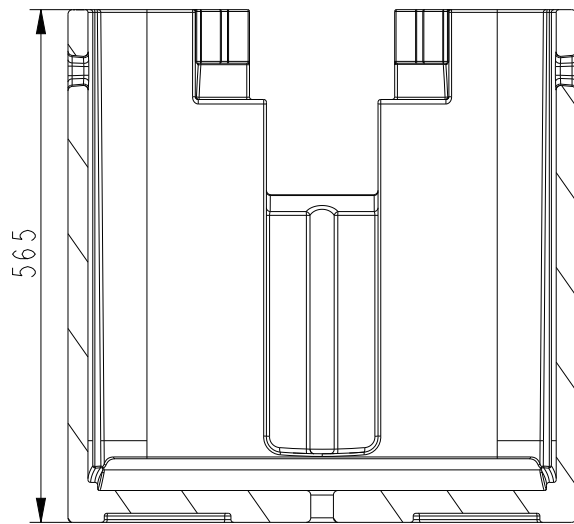
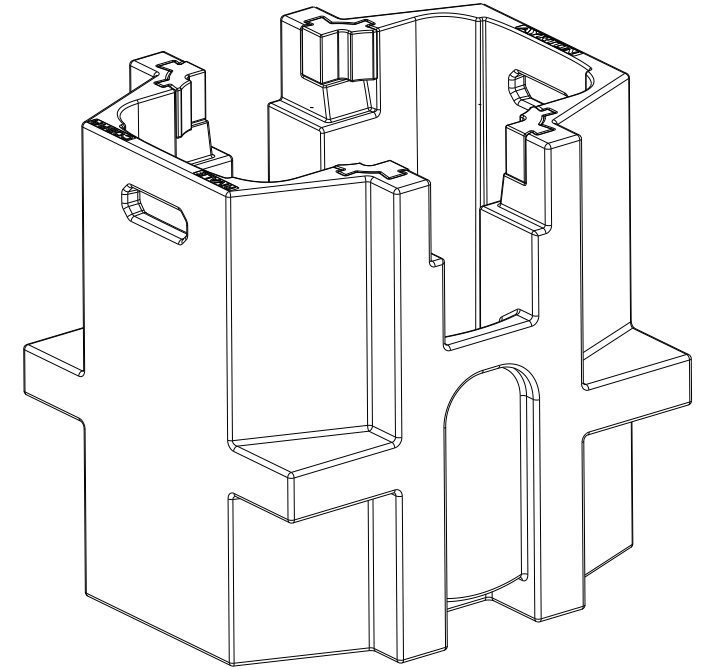


Dimension tolerance (millimetre)	Version
± 5	1.0





Section: B-B



Section: A-A

截面 A - A

Indice	Date	Created by	Modification :	Approved on	Approved by
Logiciel :		Observation : -			
Project: S18			Project Name :	Code:	 AYRTON Digital Lighting www.ayrton.eu
A4			Scale: 1/9		
			Material:		