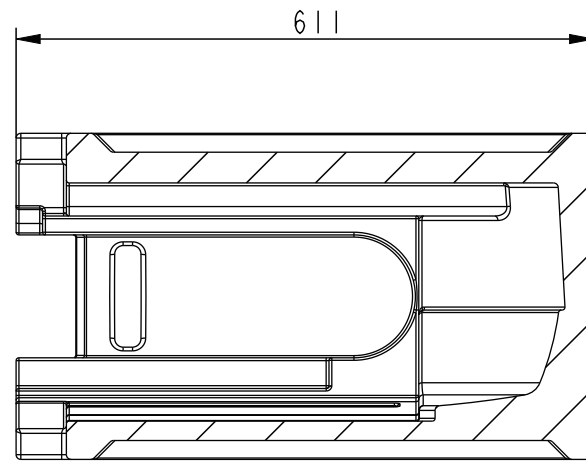
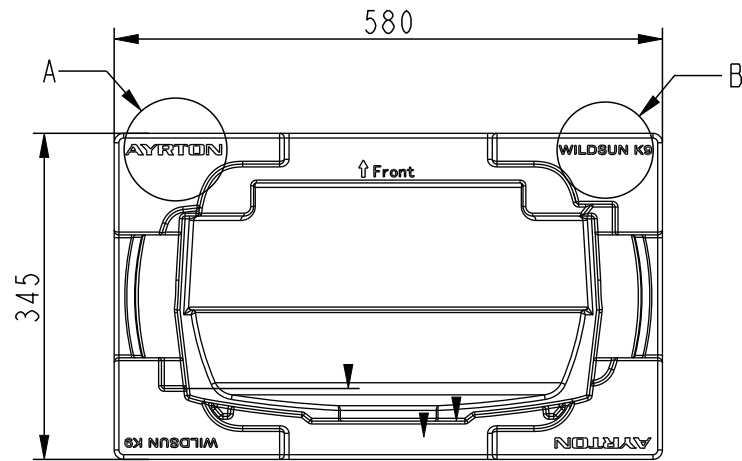
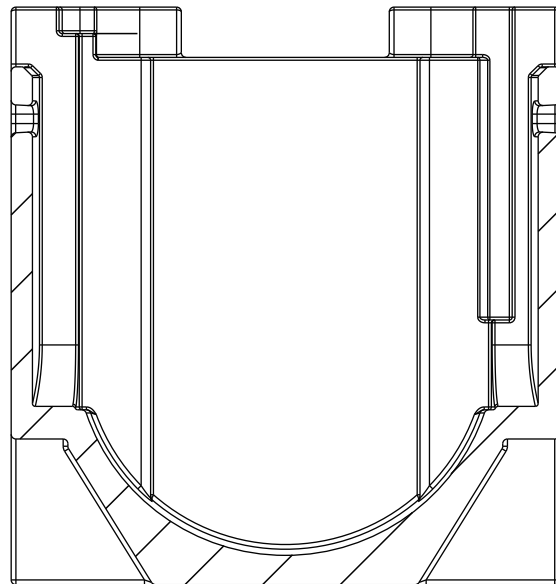
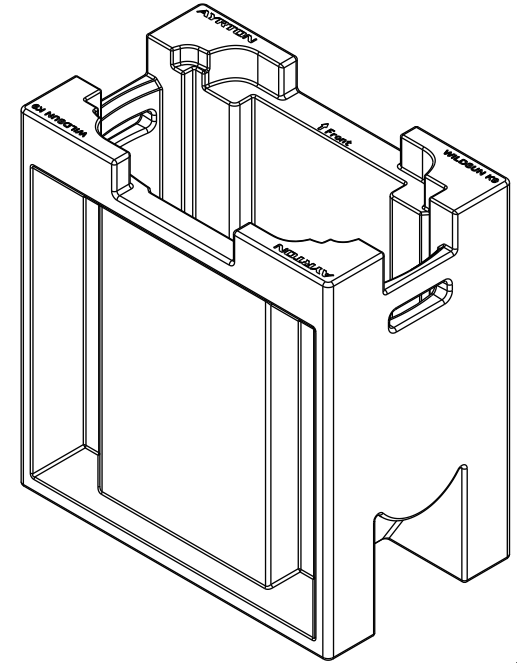


Dimension tolerance (millimetre)	Version
± 5	1.0



Section:B-B





Section:A-A

AYRTON

A

WILDSUN K9

B

Indice	Date	Created by	Modification :	Approved on	Approved by
Logiciel :		Observation : -			
Project: S20			Project Name :	Code:	 www.ayrton.eu
A4				Scale: 1/8 	
				Material:	