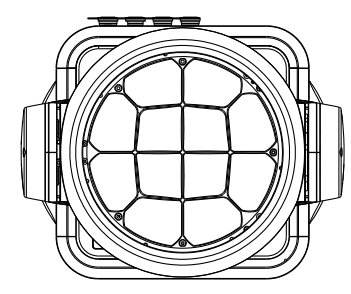
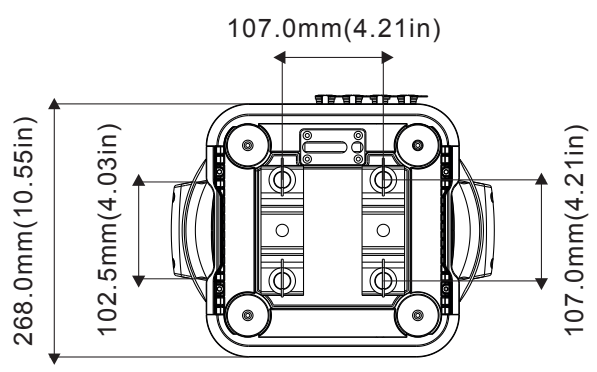
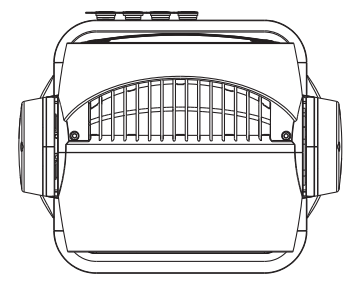
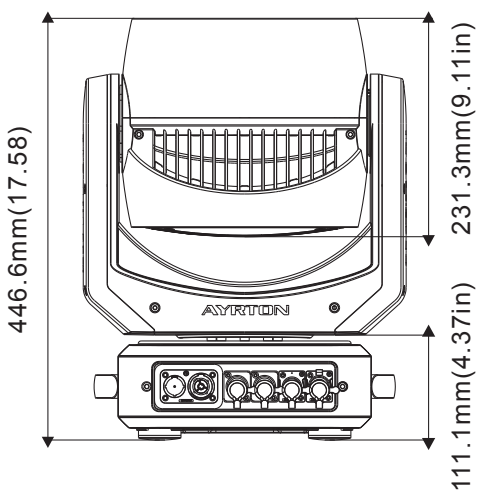
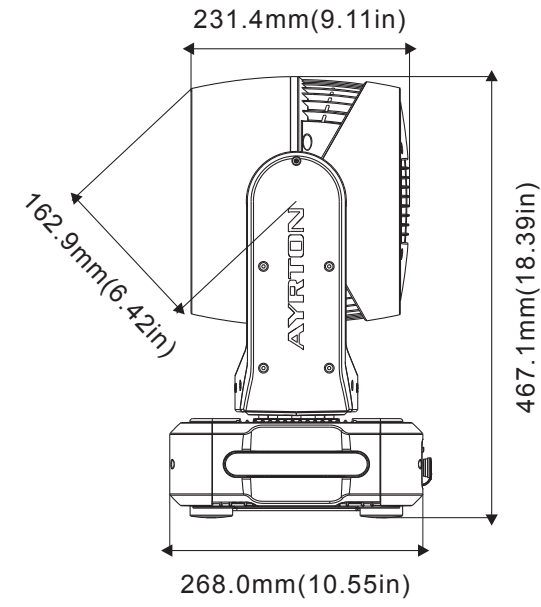
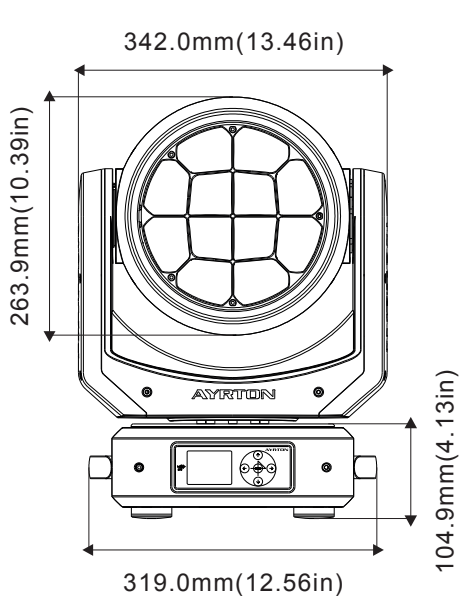
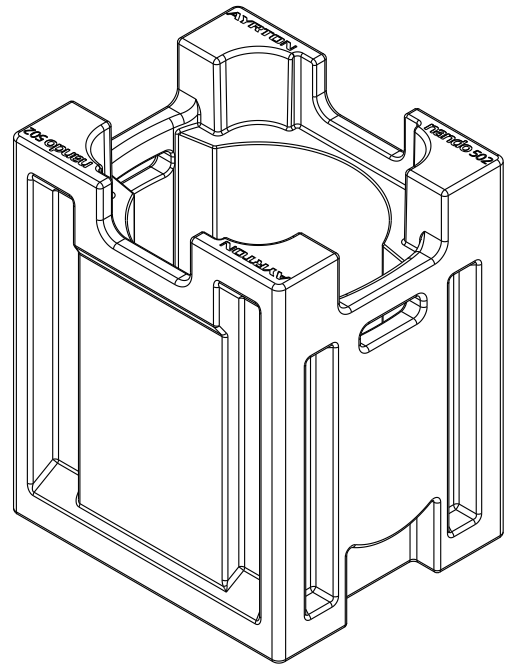
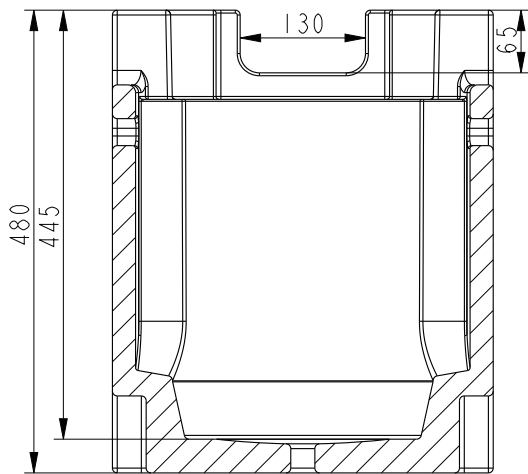
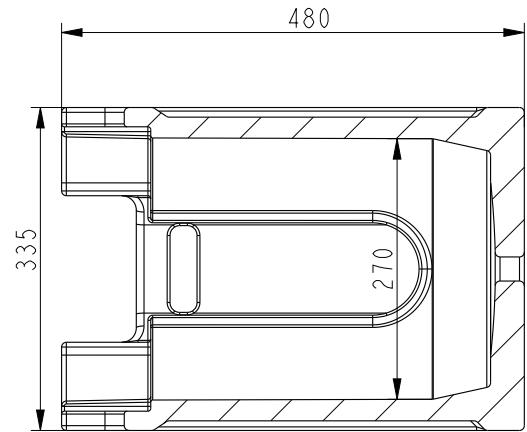
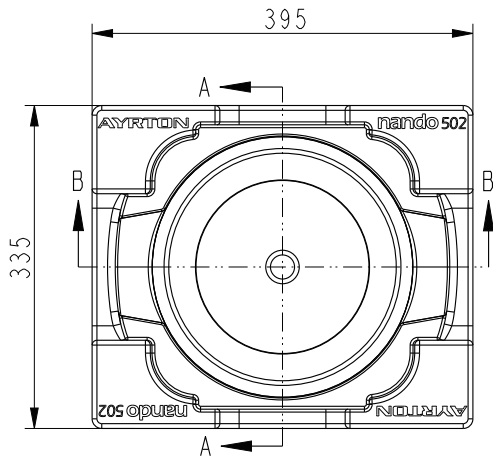


FIXTURE DIMENSIONS

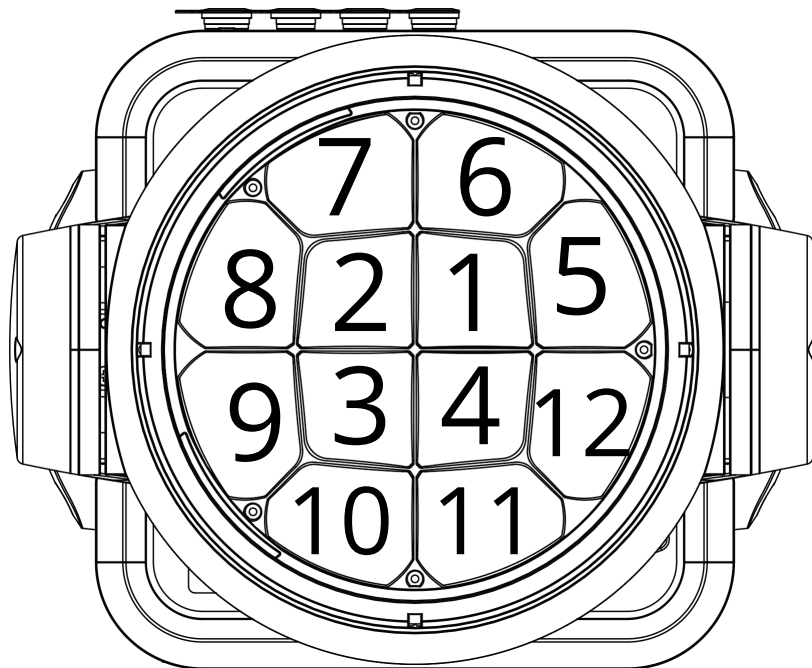


FOAM DIMENSIONS



Dimension tolerance (mm): ± 5
Version: 1.0

PIXEL FRONT VIEW



 **DISCLAIMER**

Errors and omissions for all information given in this document are possible. All information is subject to change without prior notice.