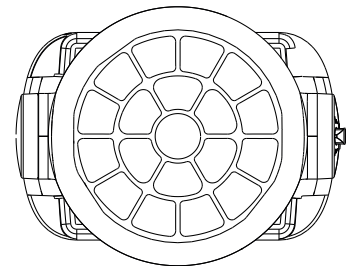
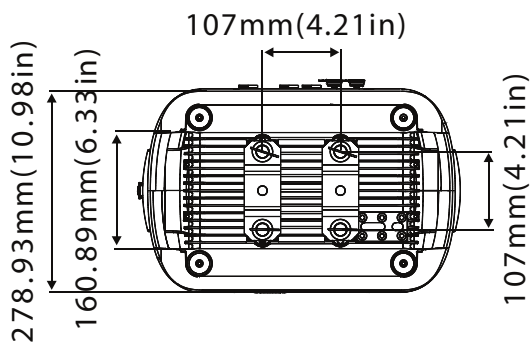
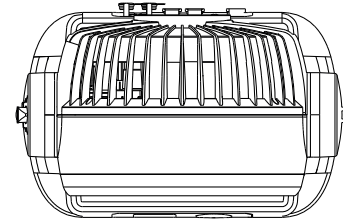
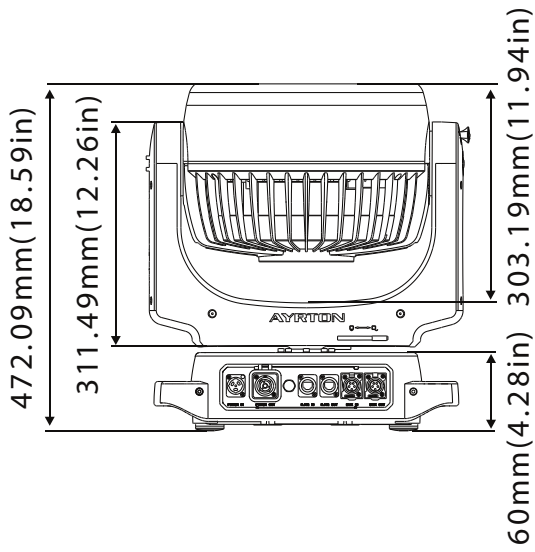
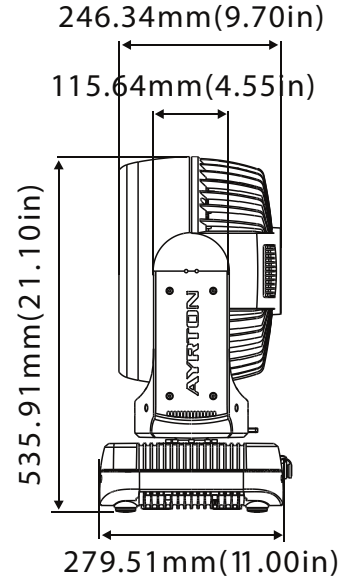
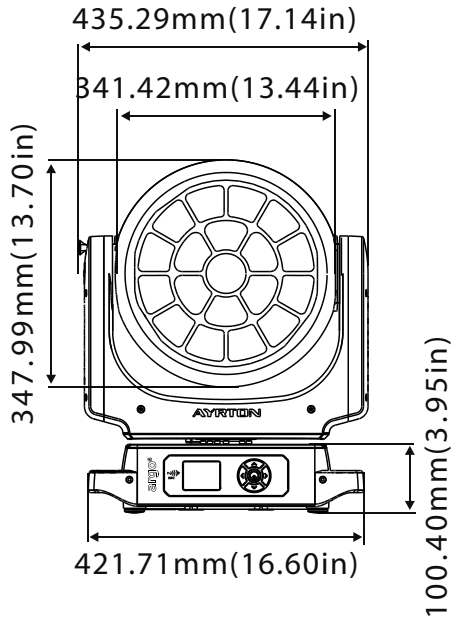
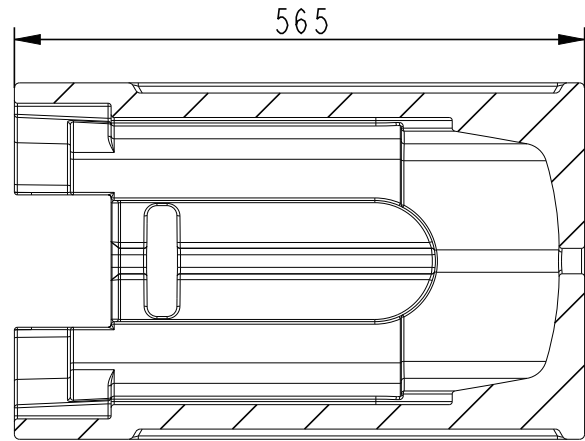
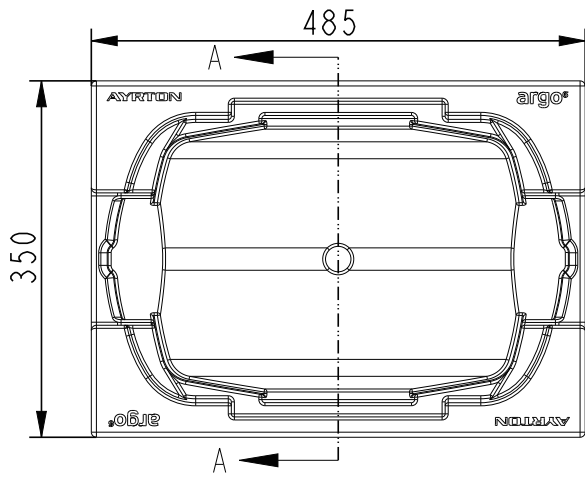


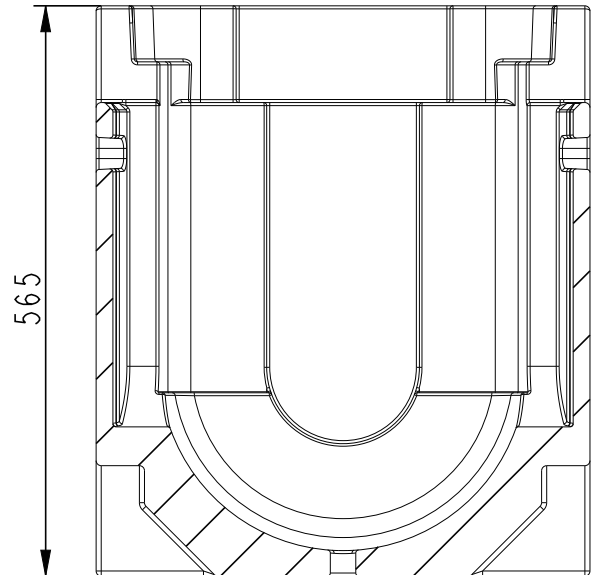
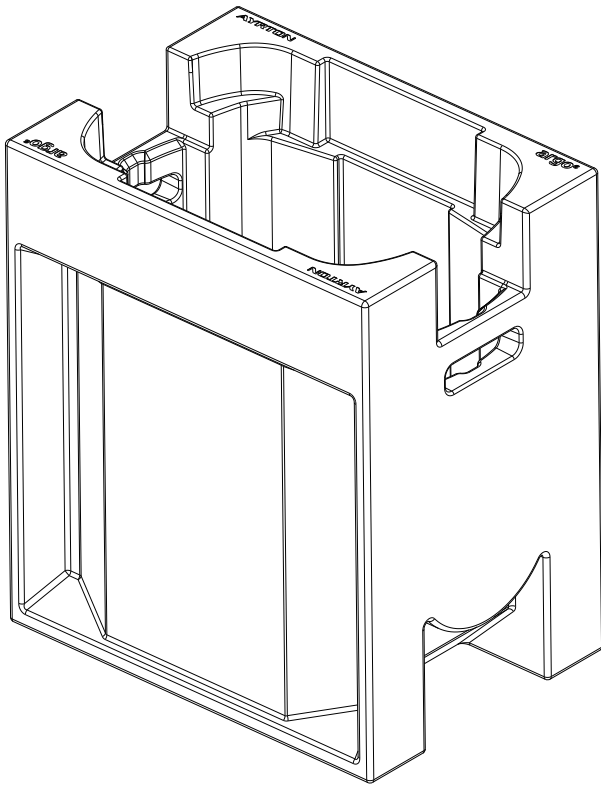
FIXTURE DIMENSIONS



FOAM DIMENSIONS



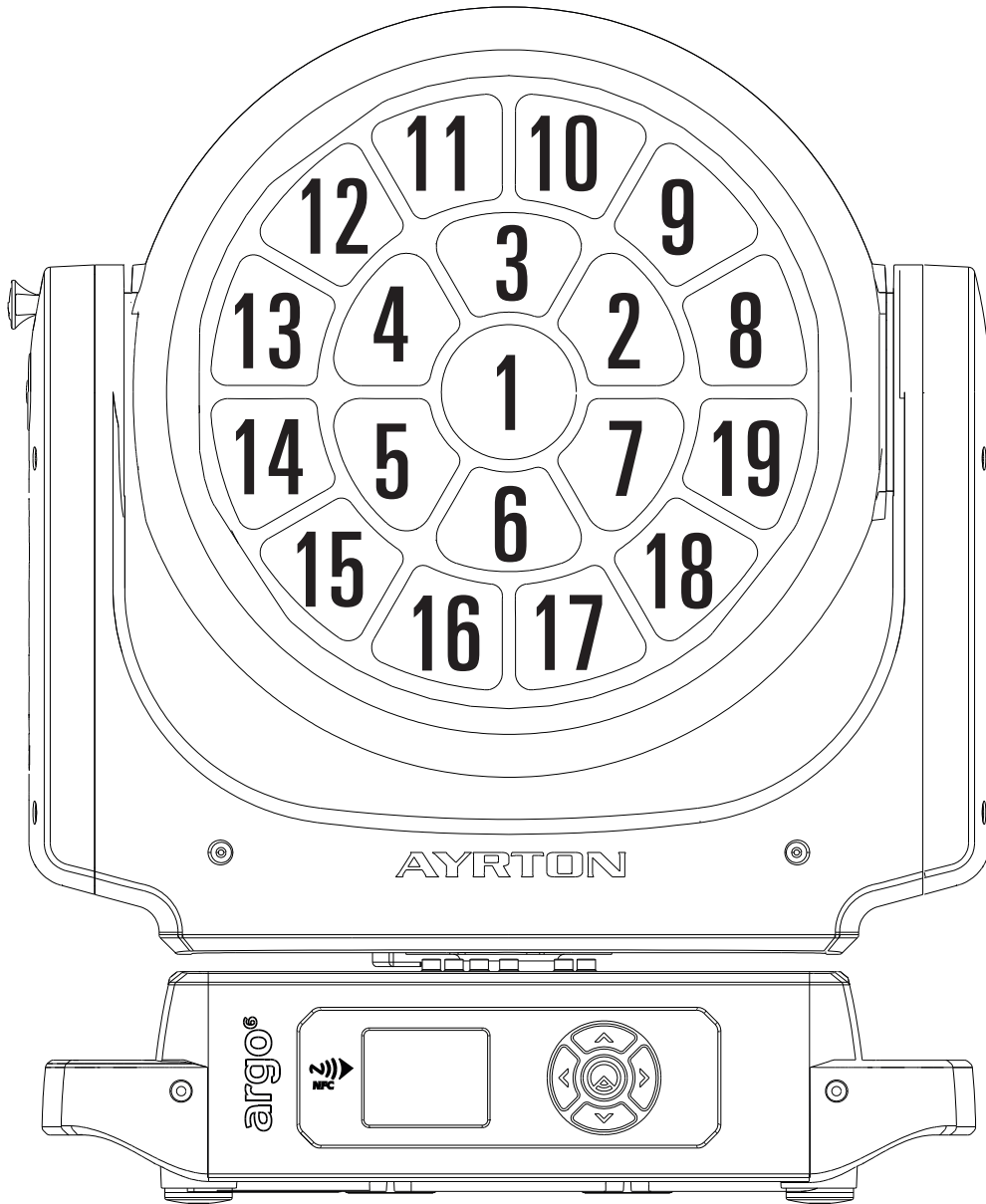
Section:A-A



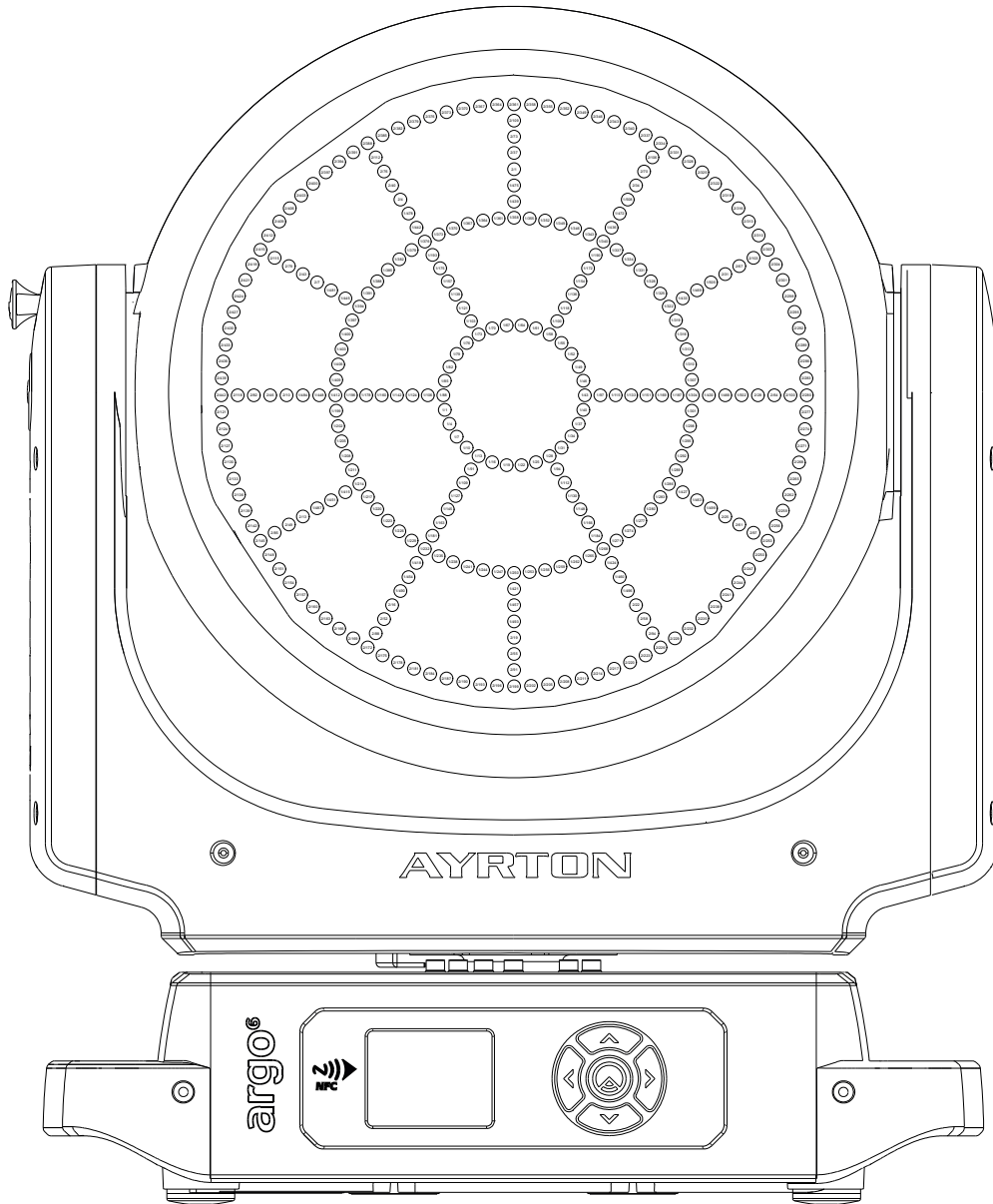
Section:B-B

Dimension tolerance (mm): ± 5
Version: 1.0

PIXEL FRONT VIEW



VIDEO PIXEL FRONT VIEW



⚠️ DISCLAIMER

Errors and omissions for all information given in this document are possible. All information is subject to change without prior notice.