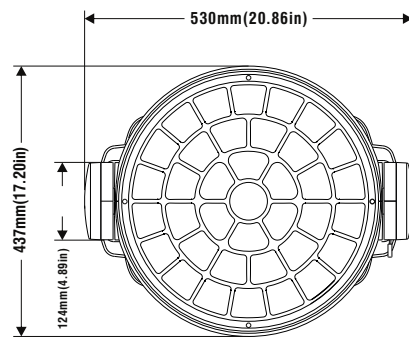
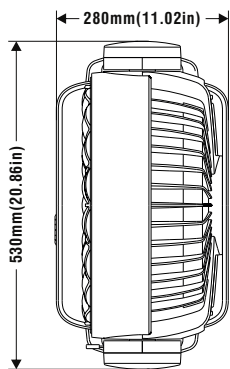
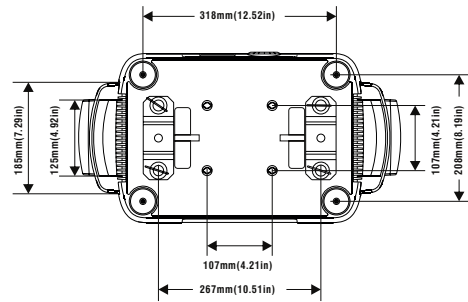
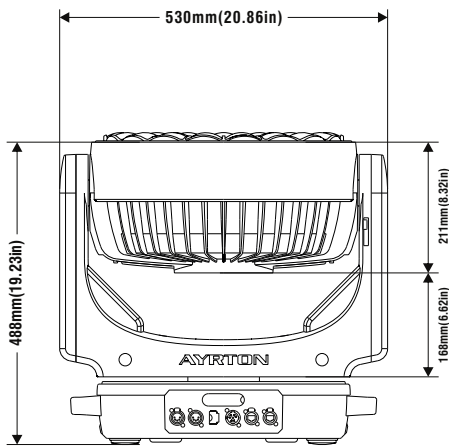
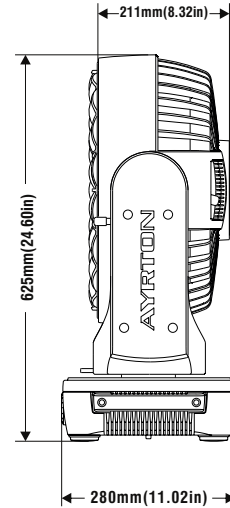
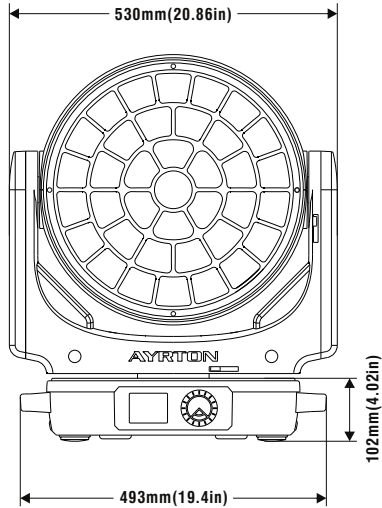
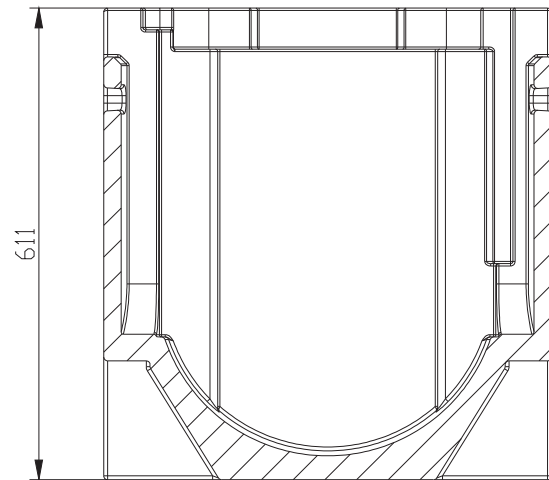
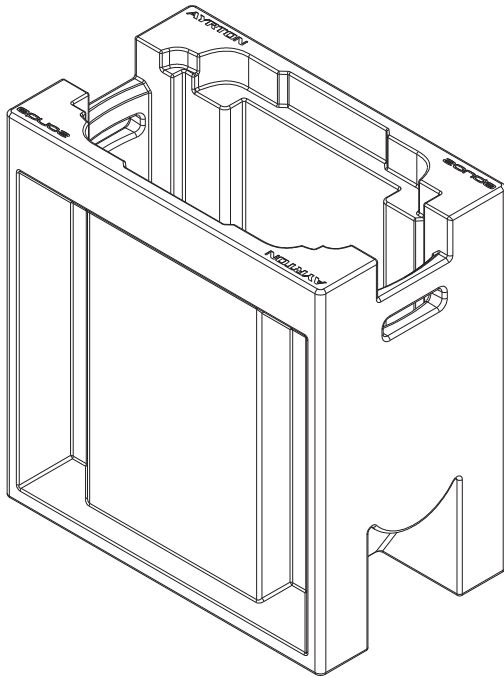
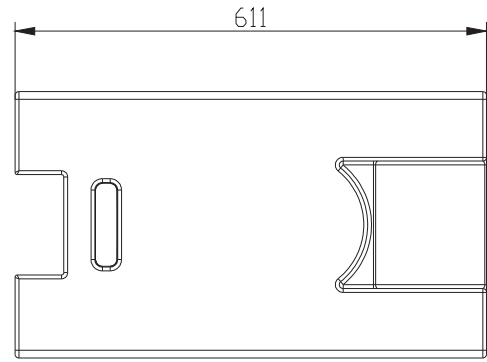
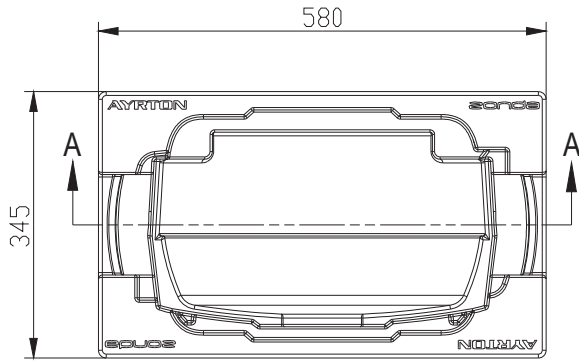


FIXTURE DIMENSIONS



**FOAM DIMENSIONS**



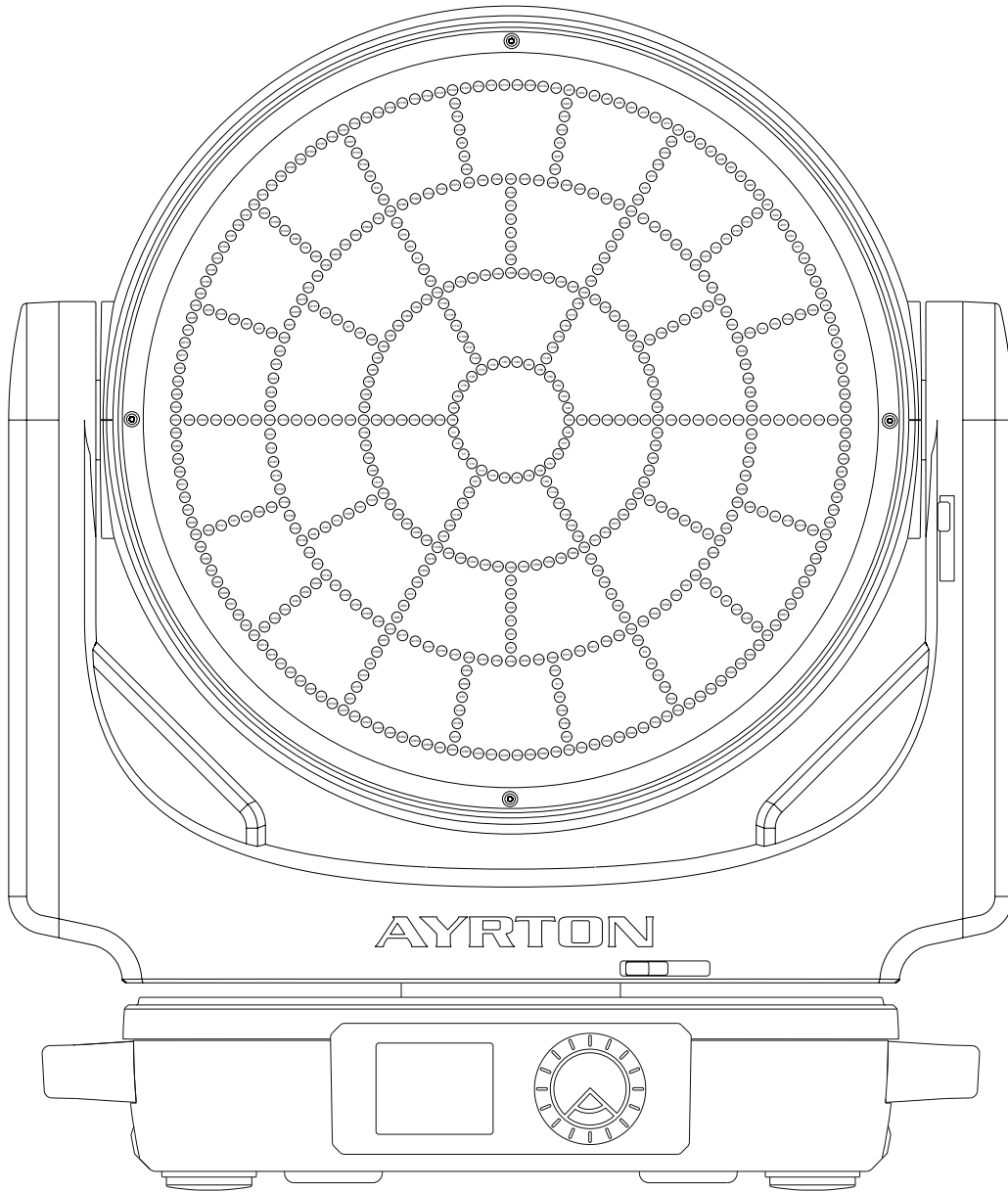
Section:A-A

Dimension tolerance (mm):  $\pm 5$   
Version: 1.0

PIXEL FRONT VIEW



VIDEO PIXEL FRONT VIEW



 **DISCLAIMER**

*Errors and omissions for all information given in this document are possible. All information is subject to change without prior notice.*