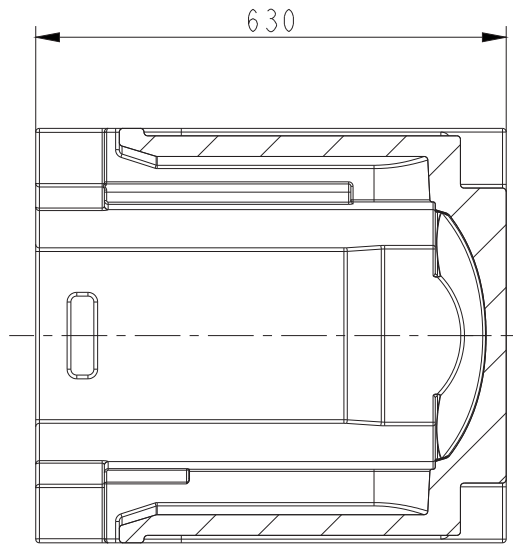
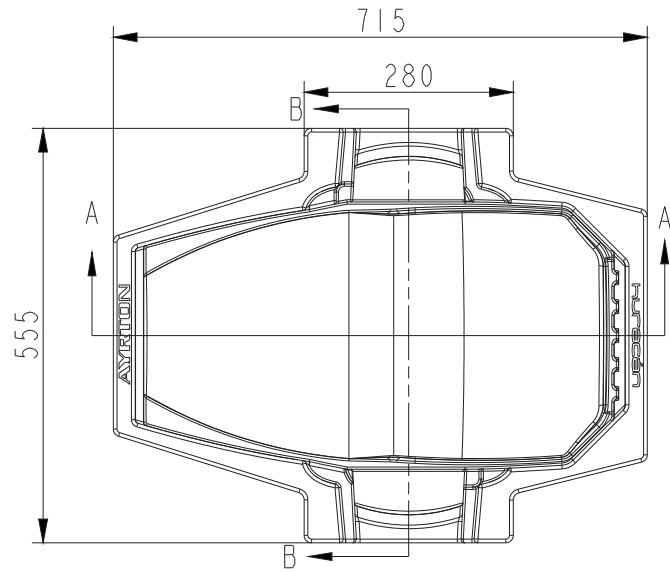
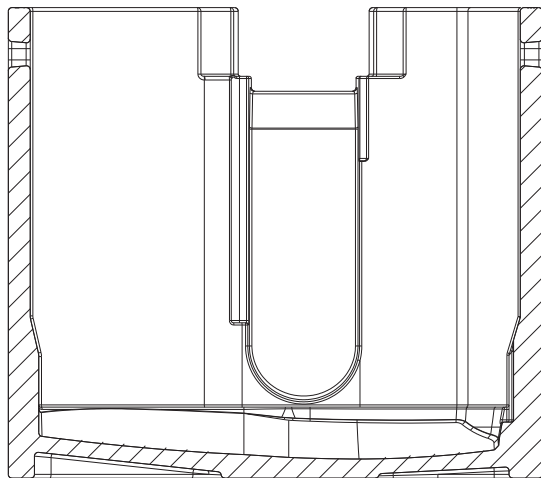
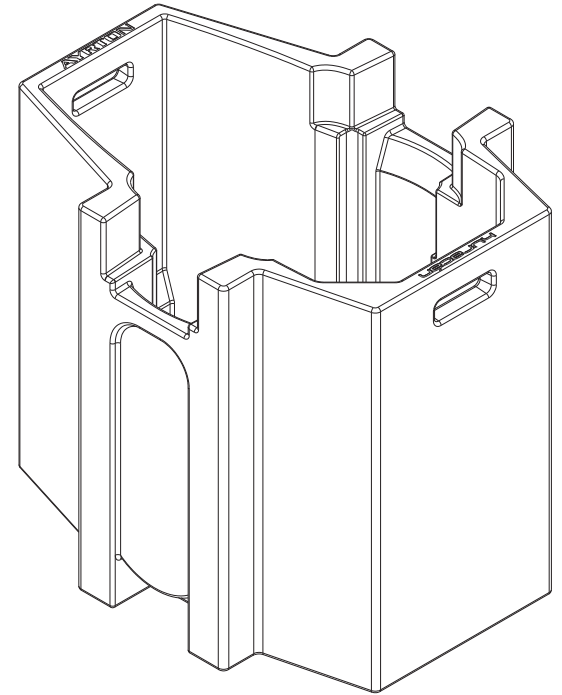




Dimension tolerance (millimetre)	Version
± 5	1.0



Section:B-B



Section:A-A

Indice	Date	Created by	Modification :	Approved on	Approved by
Logiciel :		Observation : -			
Project:	Huracan Profile	Project Name :	Huracan Profile	Code:	
A4				Scale:1/10	
Material:				www.ayrton.eu	

