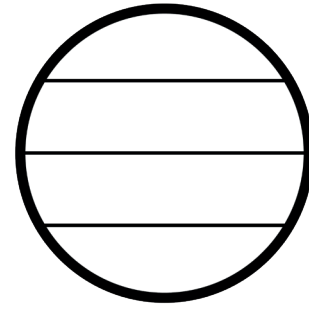
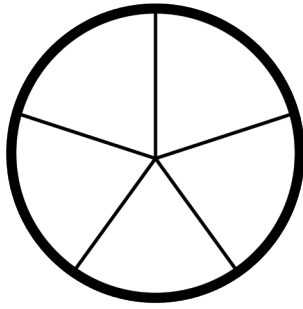


PRISMS & FROSTS



PRISM 1

DMX Channel 25 @ Ba Mode / 27 @ Std Mode / 38 @ Ext Mode

5-facet circular

-

PRISM 2

DMX Channel 27 @ Ba Mode / 29 @ Std Mode / 41 @ Ext Mode

4-facet linear

-



FROST 1

DMX Channel 29 @ Ba Mode / 31 @ Std Mode / 44 @ Ext Mode

Light 1°

-



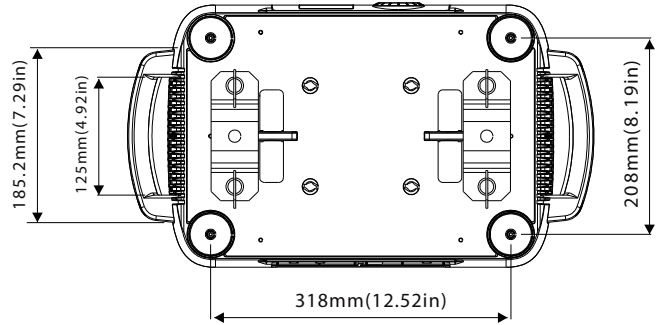
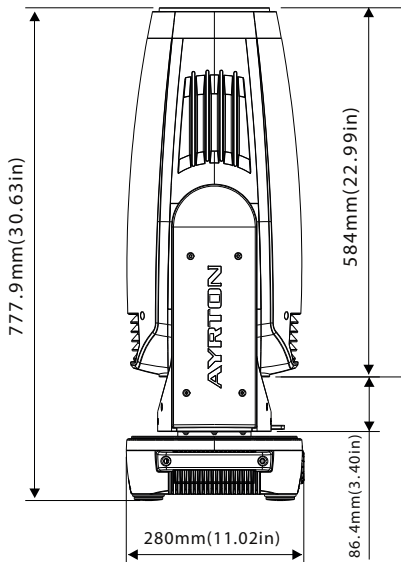
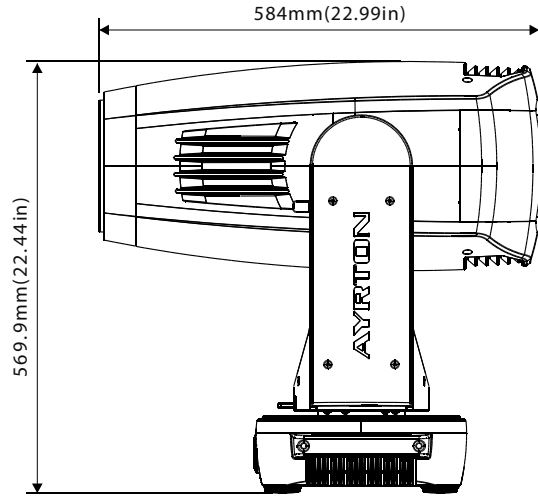
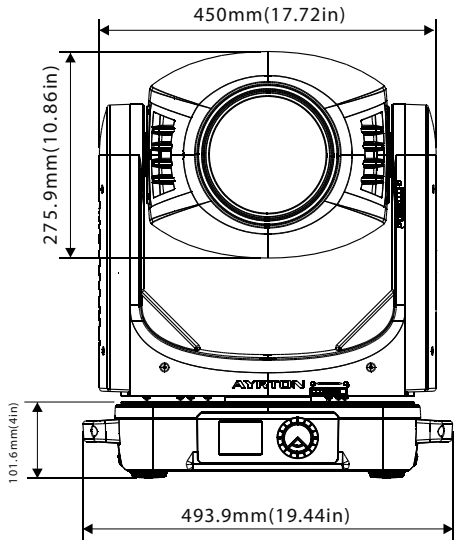
FROST 2

DMX Channel 30 @ Ba Mode / 32 @ Std Mode / 45 @ Ext Mode

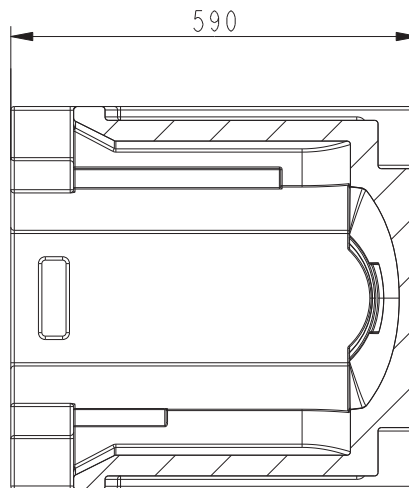
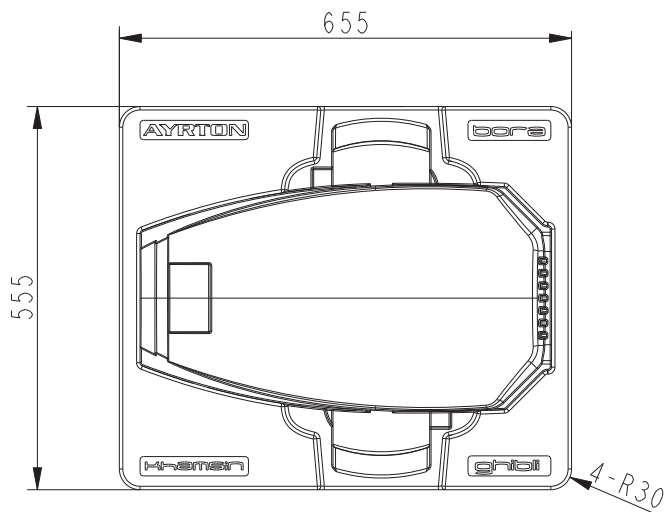
Heavy 5°

-

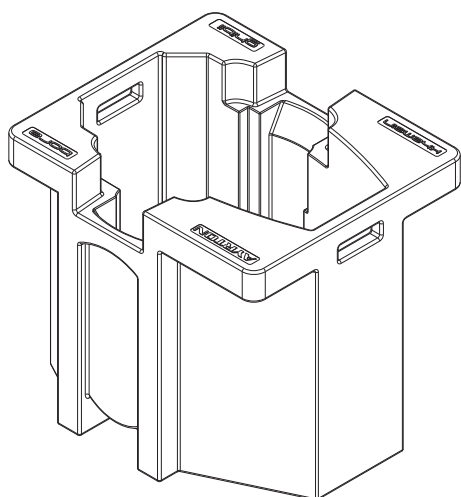
FIXTURE DRAWINGS



FOAM DRAWINGS



Section: A-A



Section: B-B

Dimension tolerance (mm): ± 5
Version: 1.0

⚠️ DISCLAIMER

Errors and omissions for all information given in this document are possible. All information is subject to change without prior notice.