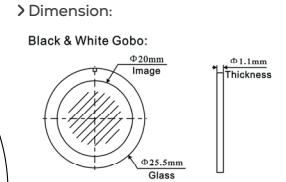
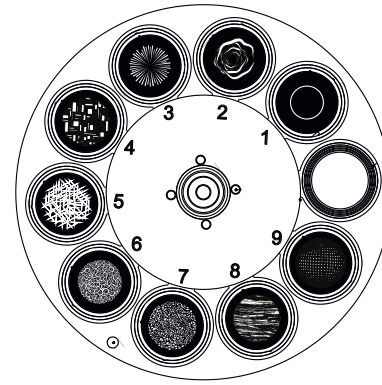
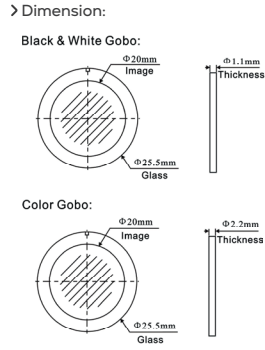
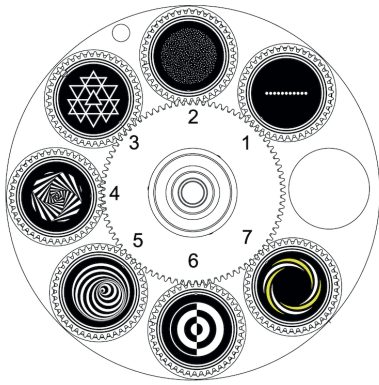


WHEELS : GOBO, COLOUR & ANIMATION



GOBO WHEEL 1

Rotating Gobo

|   |      |                      |               |
|---|------|----------------------|---------------|
| 1 | 130  | Dot Line 11          | GP60303010903 |
| 2 | 074  | Star Dust            | GP60303010906 |
| 3 | 018  | Nested Triangle      | GP60303010905 |
| 4 | 039  | Infinite Stairs      | GP60303010867 |
| 5 | 134  | Vortex               | GP60303010904 |
| 6 | 067  | Black & White Target | GP60303010926 |
| 7 | 112Y | Nested Rings Yellow  | GP60303060055 |

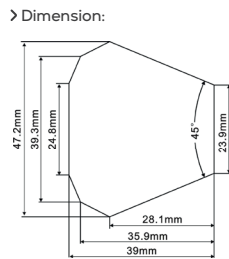
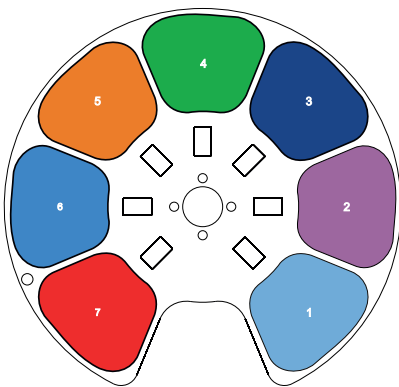
This side facing LED module

GOBO WHEEL 2

Static Gobo

|   |     |                       |               |
|---|-----|-----------------------|---------------|
| 1 | 410 | Conical Tunnel Effect | GP60303010925 |
| 2 | 049 | Smoke Rings           | GP60303010909 |
| 3 | 046 | Fireworks Light       | GP60303010910 |
| 4 | 066 | Abstract Square       | GP60303010912 |
| 5 | 081 | Iron Filings          | GP60303010932 |
| 6 | 041 | Lost In The Brain     | GP60303010911 |
| 7 | 101 | Deep Forest           | GP60303010914 |
| 8 | 105 | Tree Bark             | GP60303010915 |
| 9 | 190 | Mirror Ball           | GP60303010930 |

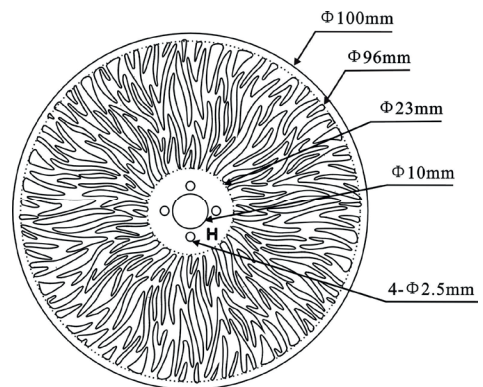
This side facing LED module



COLOUR WHEEL

|   |            |               |
|---|------------|---------------|
| 1 | CTB 1/4    | GP60305032657 |
| 2 | Magenta    | GP60305032680 |
| 3 | Congo Blue | GP60305032611 |
| 4 | Green      | GP60305032607 |
| 5 | Orange     | GP60305032677 |
| 6 | Blue       | GP60305032608 |
| 7 | Red        | GP60305032606 |

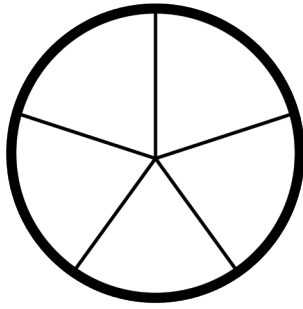
This side facing LED module



ANIMATION WHEEL

- -

PRISM



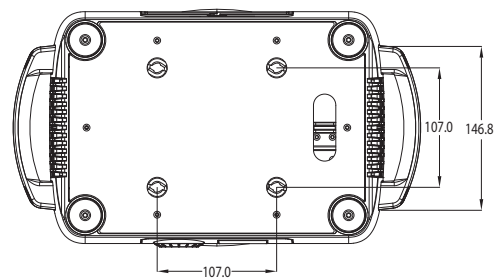
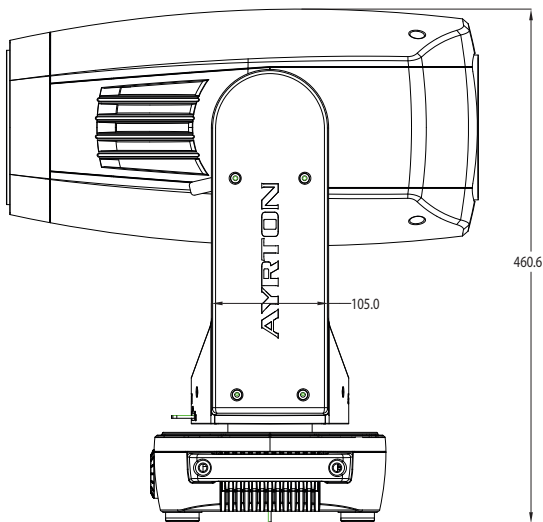
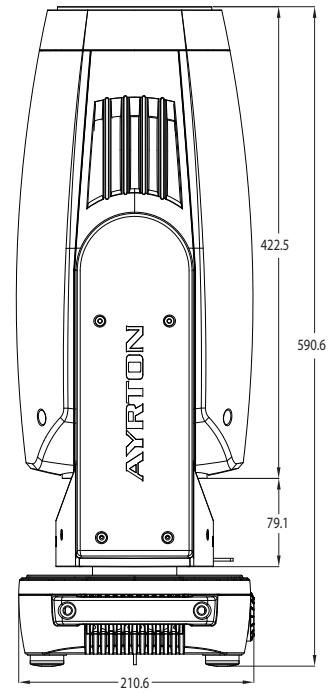
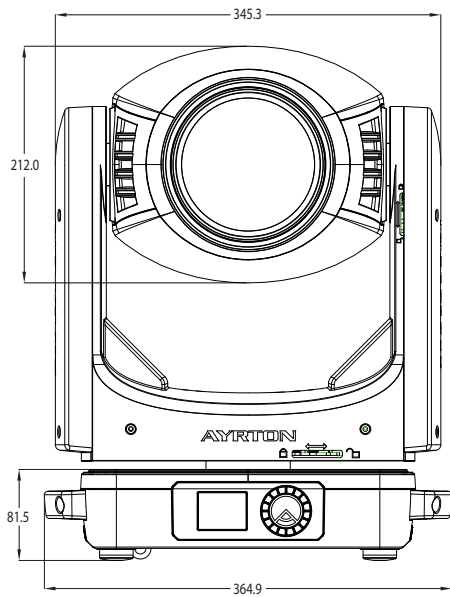
PRISM

DMX Channel 23 @ Ba Mode / 25 @ Std Mode / 35 @ Ext Mode

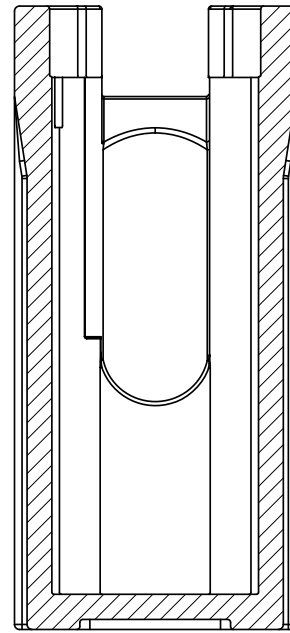
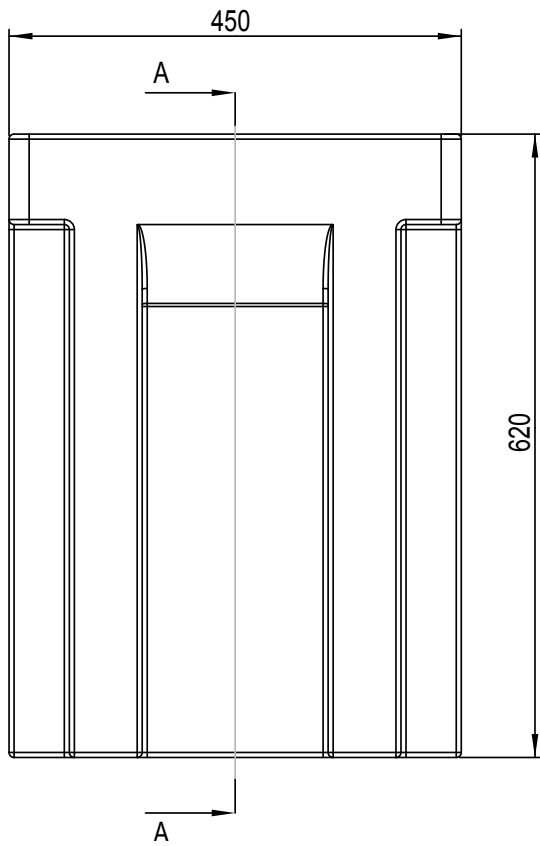
5-facet circular

-

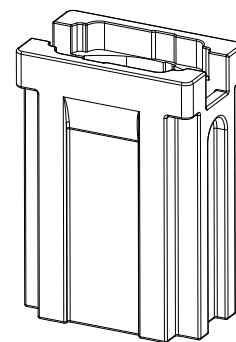
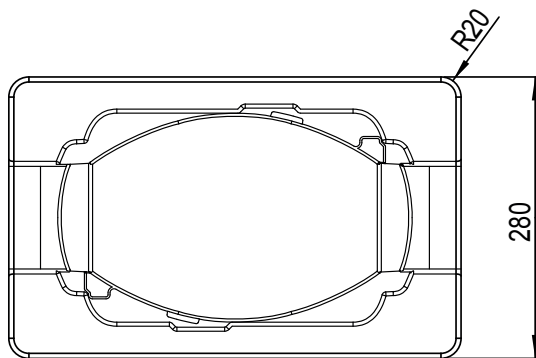
FIXTURE DRAWINGS



FOAM DRAWINGS



Section A-A



Dimension tolerance (mm):  $\pm 5$   
Version: 1.0

**⚠️ DISCLAIMER**

Errors and omissions for all information given in this document are possible. All information is subject to change without prior notice.