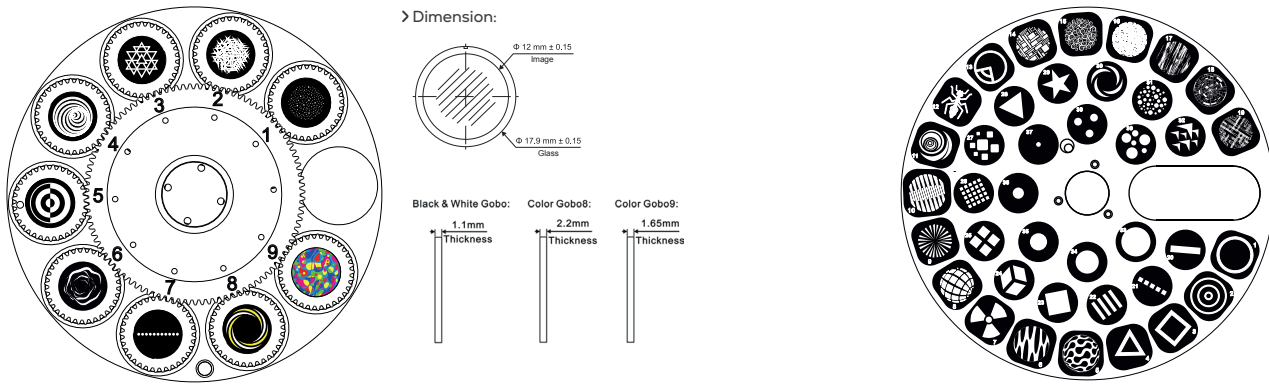


WHEELS - GOBO, COLOUR & ANIMATION



GOBO WHEEL 1

Rotating Gobo

1	074	Star Dust	GP60303011447
2	081	Iron Filings	GP60303011453
3	018	Nested Triangle	GP60303011448
4	134	Vortex	GP60303011450
5	067	Black & White Target	GP60303011451
6	049	Smoke Rings	GP60303011452
7	130	Dot Line 11	GP60303011446
8	112Y	Nested Rings Yellow	GP60303060128
9	042	CMY Liquid Effect	GP60303060130

This side facing LED module

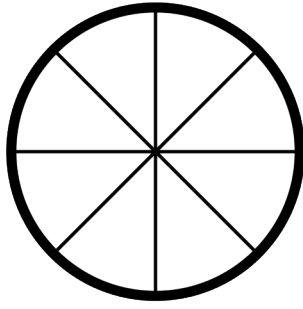
GOBO WHEEL 2

Static Gobo

1	410	Conical Tunnel Effect	GP60303011519A
2	415	Target Tunnel Effect	GP60303011520A
3	420	Square Tunnel Effect	GP60303011521A
4	425	Triangle Tunnel Effect	GP60303011522A
5	006	Organic	GP60303011548A
6	077	Water	GP60303011549A
7	149	Nuclear	GP60303011550A
8	189	Mirror Ball Light	GP60303011551A
9	046	Fireworks Light	GP60303011552A
10	255	Zig-Zag	GP60303011553A
11	004	Big Eye	GP60303011554A
12	093	Ant	GP60303011555A
13	001	Ayrton Logo	GP60303011556A
14	066	Abstract Square	GP60303011559A
15	041	Lost In The Brain	GP60303011558A
16	101	Deep Forest	GP60303011557A
17	105	Tree Bark	GP60303011560A
18	242	Stained Glass	GP60303011561A
19	211	Digital	GP60303011562A

This side facing LED module

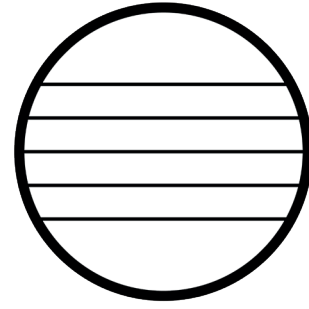
PRISMS & FROSTS



PRISM 1 / PLANE A

DMX Channel 24 @ Std Mode / 32 @ Ext Mode

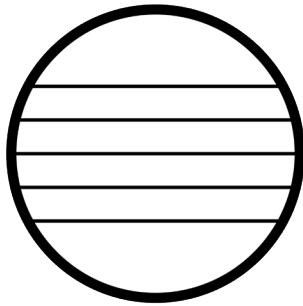
8-facet circular -



PRISM 2 / PLANE A

DMX Channel 26 @ Std Mode / 35 @ Ext Mode

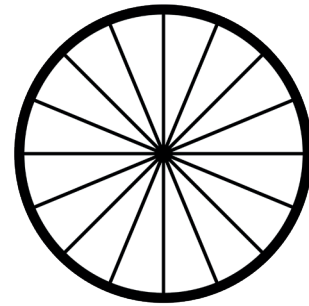
6-facet linear -



PRISM 3 / PLANE B

DMX Channel 28 @ Std Mode / 38 @ Ext Mode

6-facet linear -



PRISM 4 / PLANE B

DMX Channel 30 @ Std Mode / 41 @ Ext Mode

16-facet circular -

» Prism 1 or 2 can be combined with prism 3 or 4



FROST 1

Frost Channel 32 @ Std Mode / 44 @ Ext Mode

Light 1° -

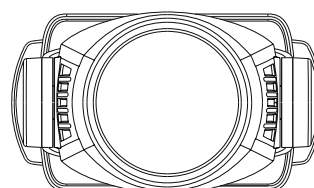
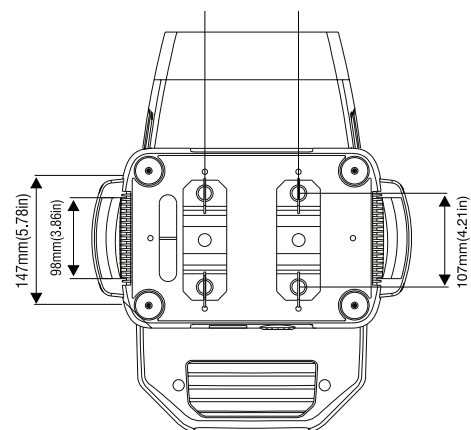
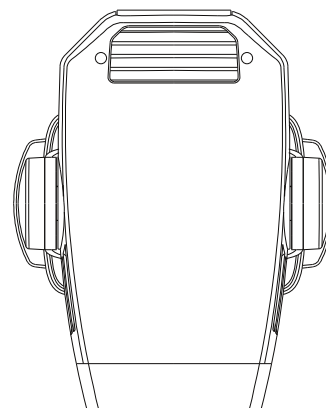
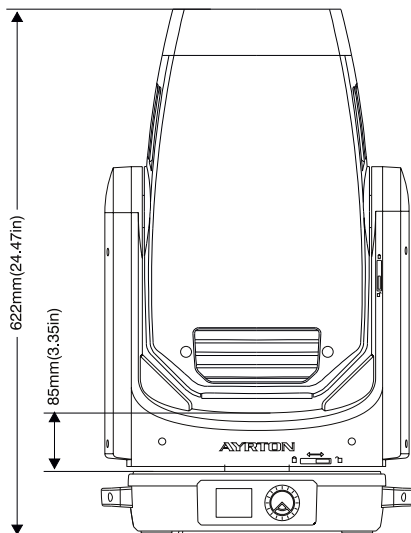
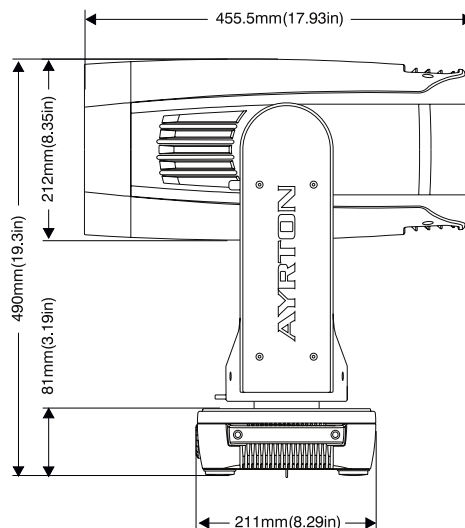
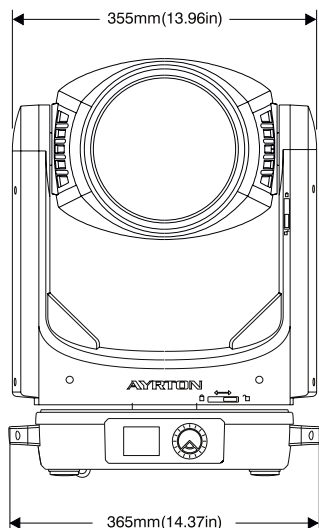


FROST 2

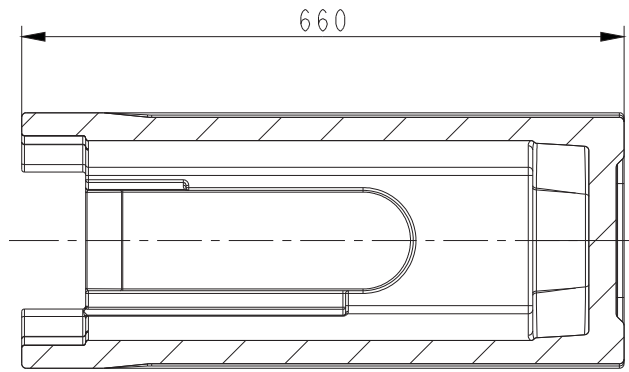
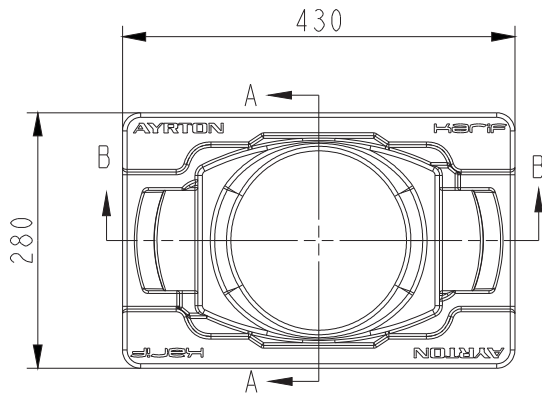
Frost Channel 33 @ Std Mode / 45 @ Ext Mode

Heavy 5° -

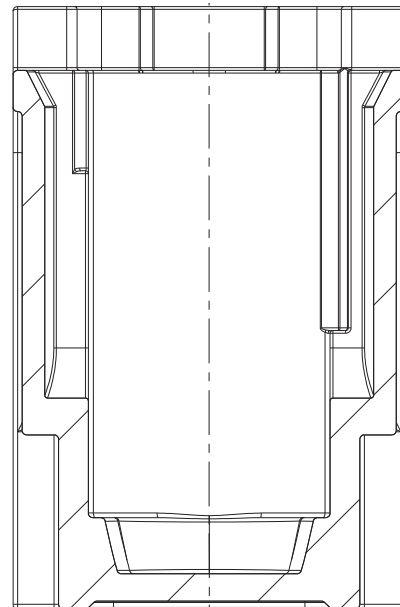
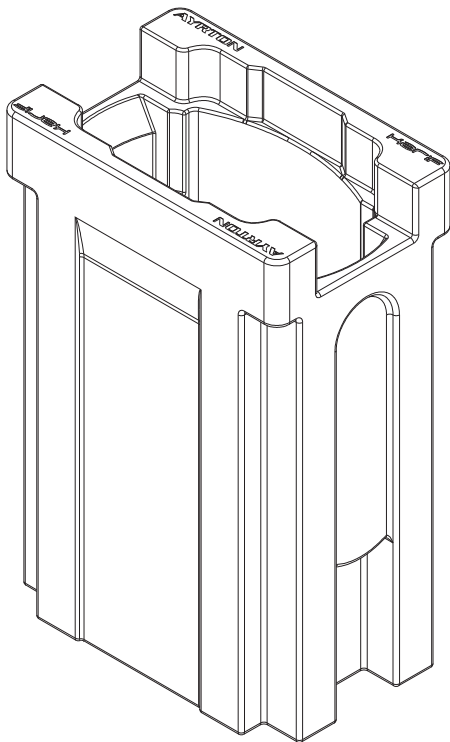
FIXTURE DRAWINGS



FOAM DRAWINGS



Section:A-A



Section:B-B

Dimension tolerance (mm): ± 5
Version: 1.0

⚠️ DISCLAIMER

Errors and omissions for all information given in this document are possible. All information is subject to change without prior notice.