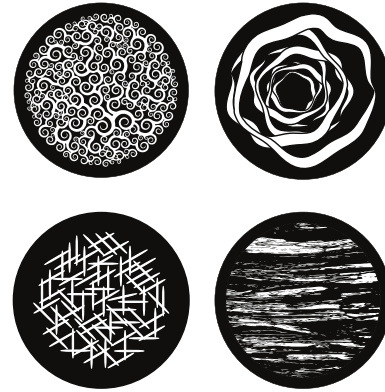
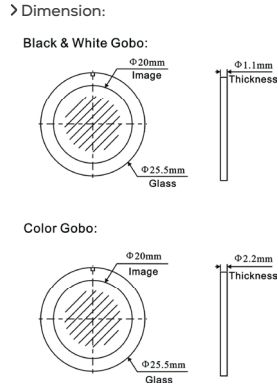
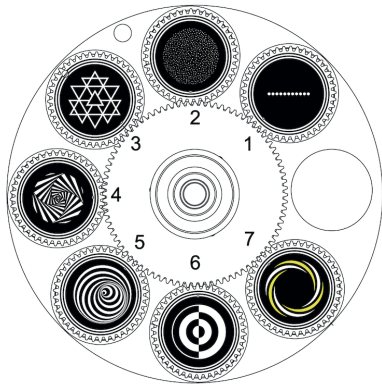


WHEELS : GOBO, COLOUR & ANIMATION



GOBO WHEEL

Rotating Gobo

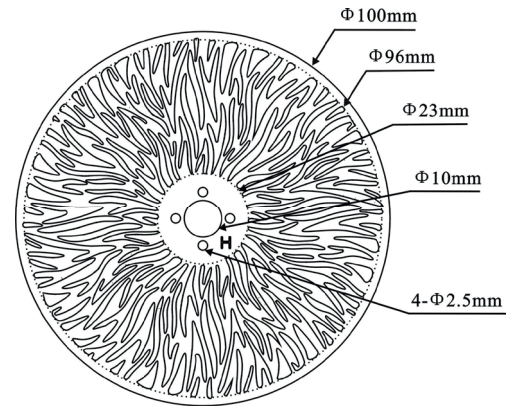
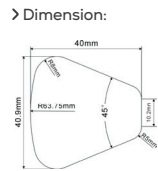
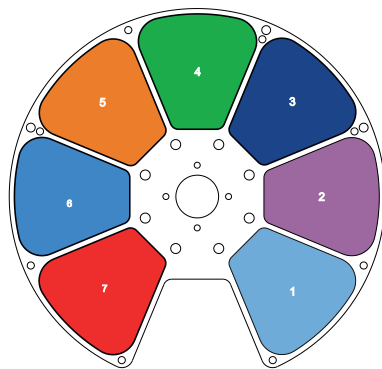
|   |      |                      |               |
|---|------|----------------------|---------------|
| 1 | 130  | Dot Line 11          | GP60303010903 |
| 2 | 074  | Star Dust            | GP60303010906 |
| 3 | 018  | Nested Triangle      | GP60303010905 |
| 4 | 039  | Infinite Stairs      | GP60303010867 |
| 5 | 134  | Vortex               | GP60303010904 |
| 6 | 067  | Black & White Target | GP60303010926 |
| 7 | 112Y | Nested Rings Yellow  | GP60303060055 |

This side facing LED module

ADDITIONAL GOBOS FOR DIABLO

Included in the package

|   |     |                   |               |
|---|-----|-------------------|---------------|
| 1 | 041 | Lost In The Brain | GP60303010911 |
| 2 | 049 | Smoke Rings       | GP60303010909 |
| 3 | 081 | Iron Filings      | GP60303010932 |
| 4 | 105 | Tree Bark         | GP60303010915 |



COLOUR WHEEL

|   |            |               |
|---|------------|---------------|
| 1 | CTB 1/4    | GP60305032892 |
| 2 | Magenta    | GP60305032893 |
| 3 | Congo Blue | GP60305032894 |
| 4 | Green      | GP60305032895 |
| 5 | Orange     | GP60305032896 |
| 6 | Blue       | GP60305032897 |
| 7 | Red        | GP60305032898 |

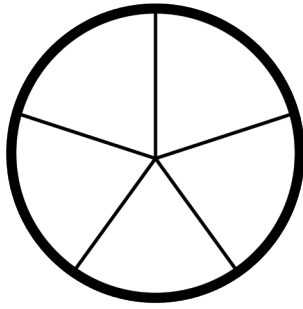
This side facing LED module

ANIMATION WHEEL

|   |   |               |
|---|---|---------------|
| - | - | GP60303051190 |
|---|---|---------------|

This side facing LED module

PRISM & FROSTS



**PRISM**

DMX Channel 22 @ Ba Mode / 24 @ Std Mode / 34 @ Ext Mode

5-facet circular

GP60302030077



**FROST 1**

Light 1°

GP60301020185

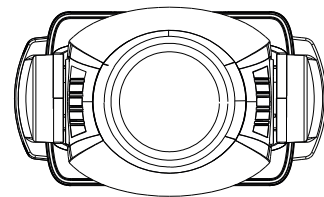
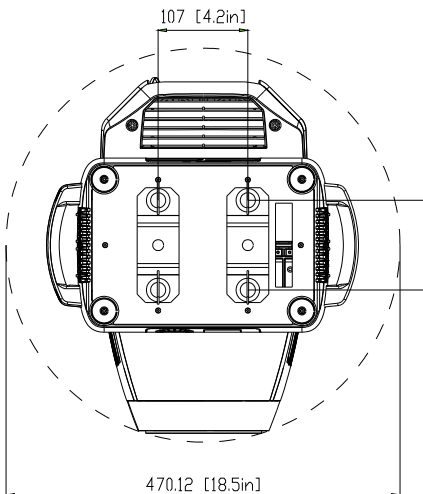
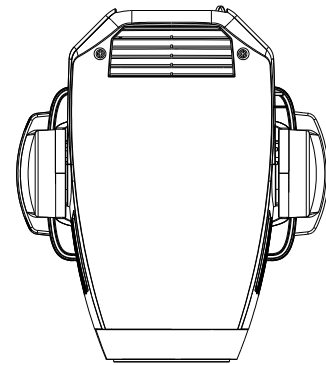
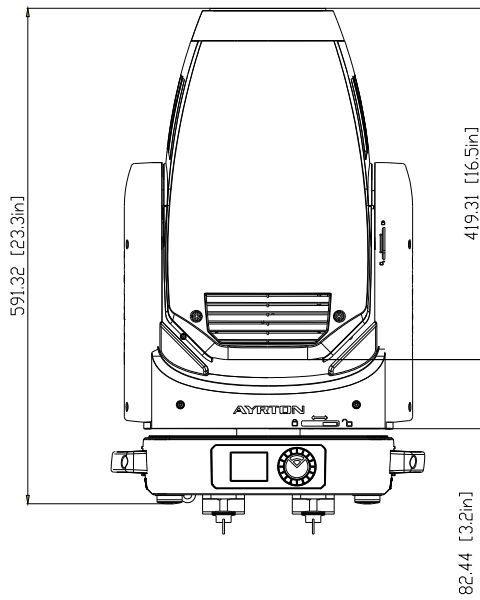
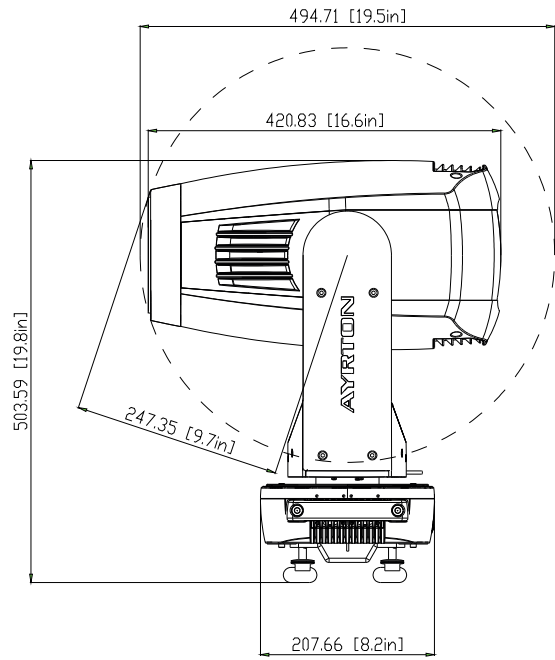
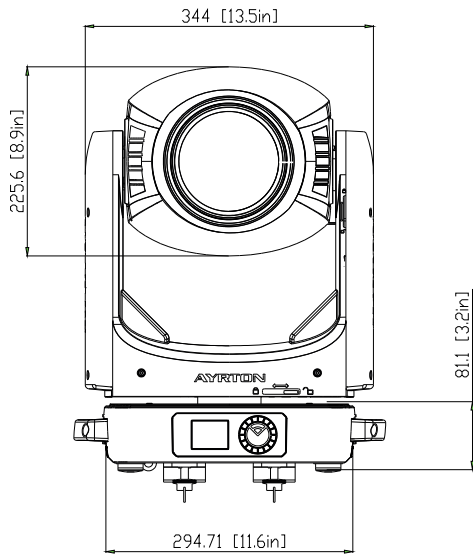


**FROST 2**

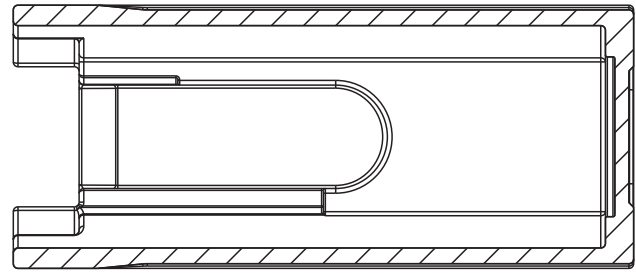
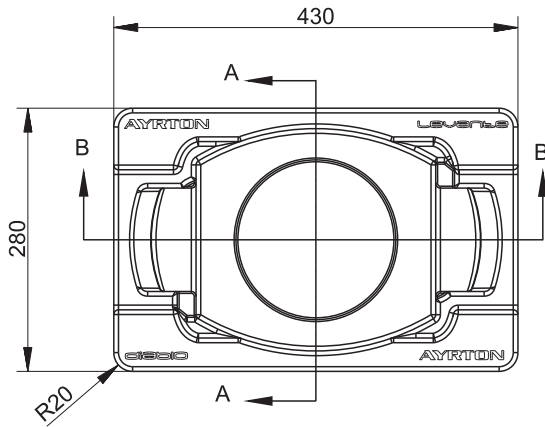
Heavy 5°

-

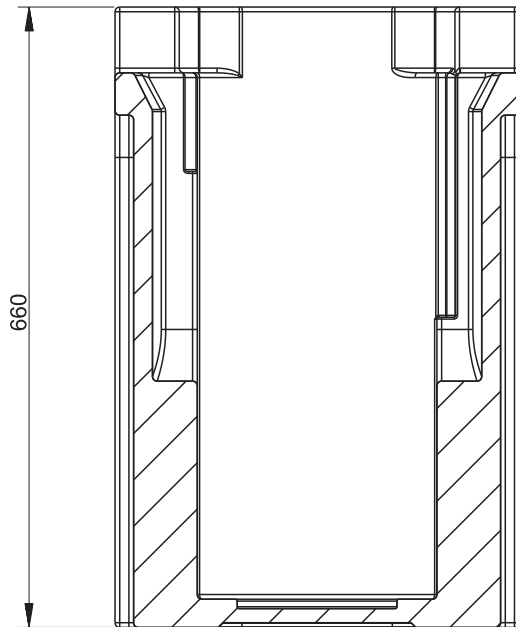
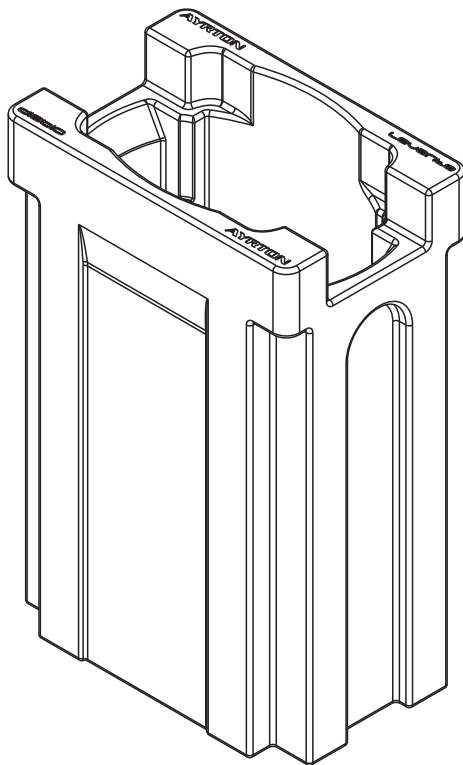
FIXTURE DRAWINGS



FOAM DRAWINGS



Section: A-A



Section: B-B

Dimension tolerance (mm):  $\pm 5$   
Version: 1.0

**⚠️ DISCLAIMER**

Errors and omissions for all information given in this document are possible. All information is subject to change without prior notice.