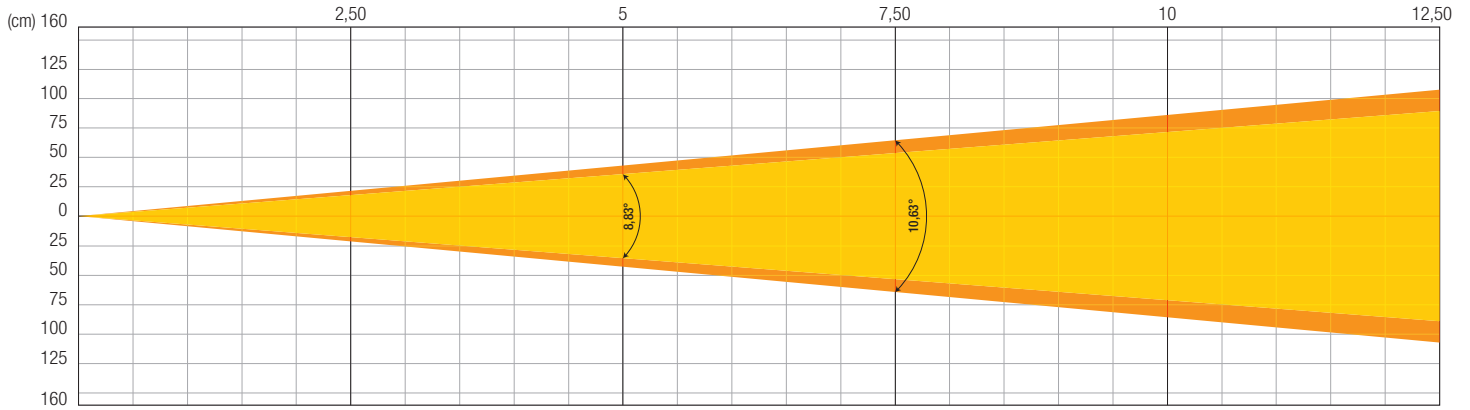




MIN ZOOM

Beam opening (5m)

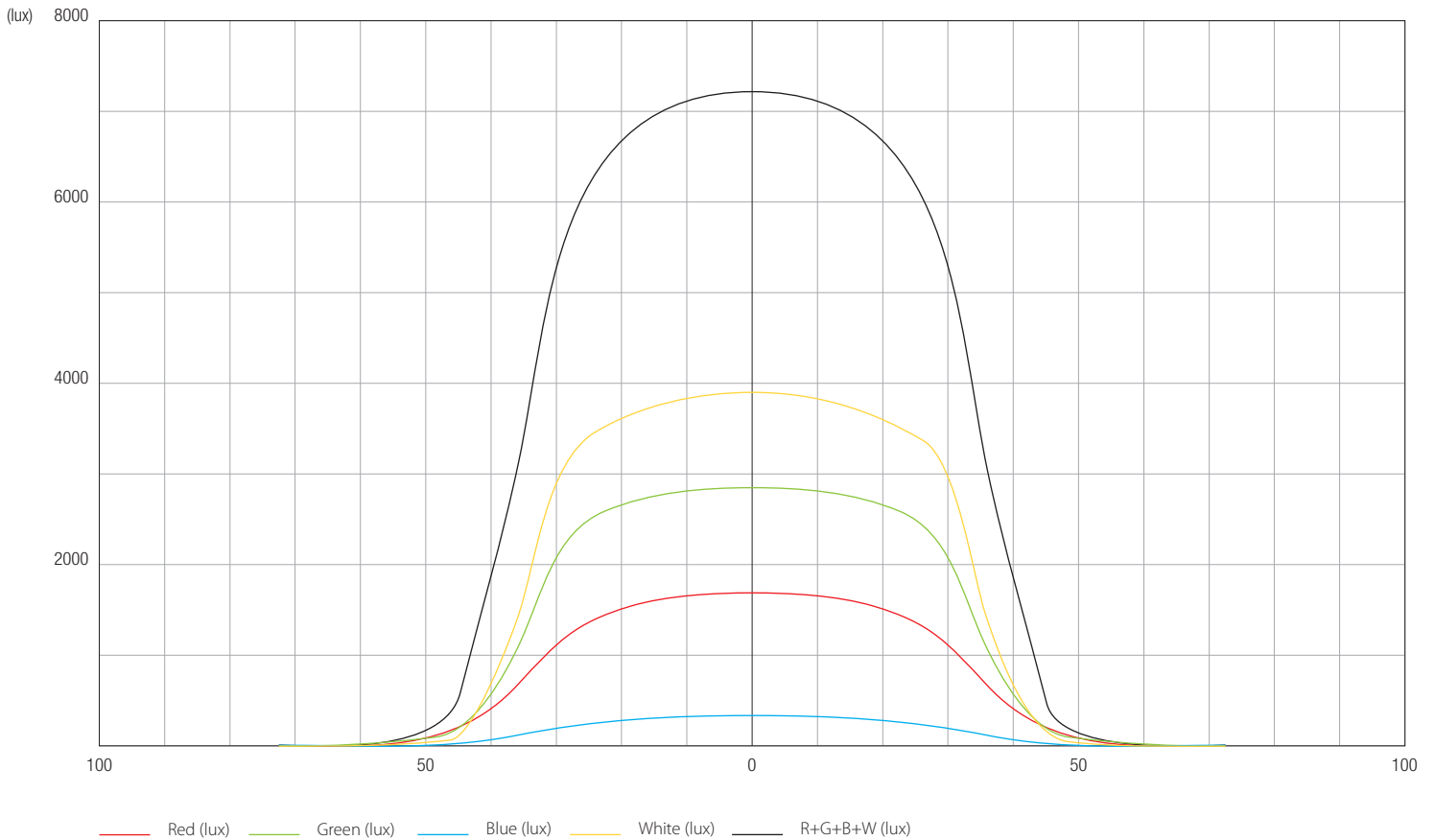


Diameter 1/2 peak (m) 0,72
Diameter 1/10 peak (m) 0,92

Intensity

Distance (m)	2,5		5		7,5		10		12,5		15	
unit	lux	FT CD	lux	FT CD	lux	FT CD	lux	FT CD	lux	FT CD	lux	FT CD
Red	6528	606	1632	152	408	38	102	9	26	2	6	1
Green	10860	1009	2715	252	679	63	170	16	42	4	11	1
Blue	1240	115	310	29	78	7	19	2	5	0	1	0
White	15164	1409	3791	352	948	88	237	22	59	6	15	1
R+G+B+W	30560	2839	7640	710	1910	177	478	44	119	11	30	3

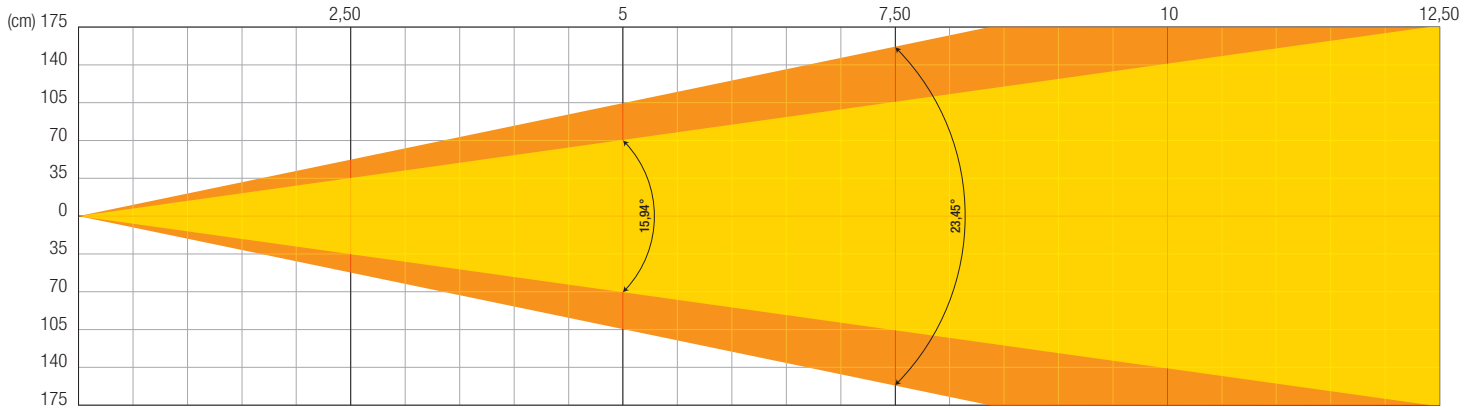
Illuminance distribution (5m)





MEDIUM ZOOM

Beam opening (5m)

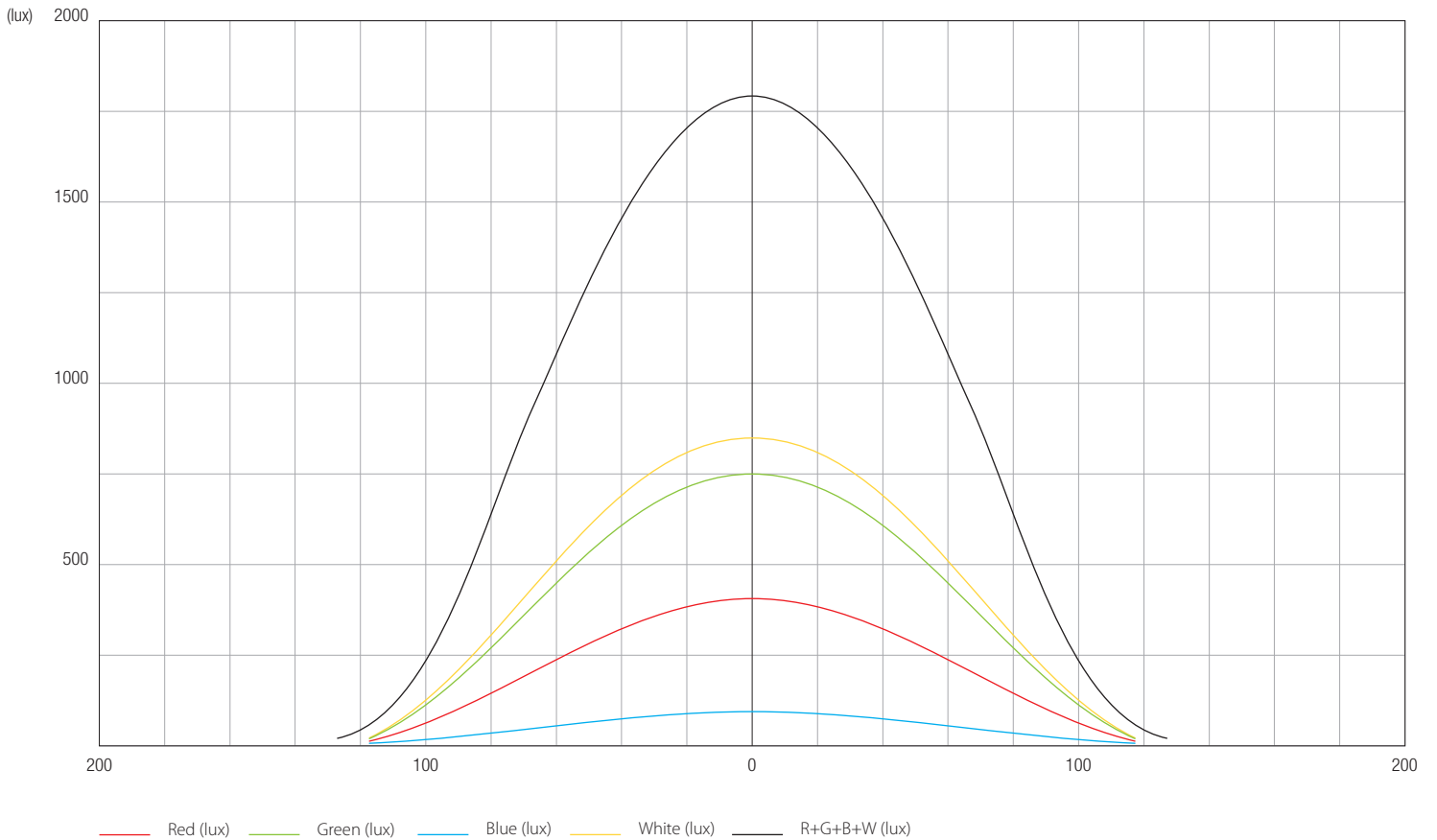


Diameter 1/2 peak (m) 1,4
Diameter 1/10 peak (m) 2,06

Intensity

Distance (m)	2,5		5		7,5		10		12,5		15	
unit	lux	FT CD	lux	FT CD	lux	FT CD	lux	FT CD	lux	FT CD	lux	FT CD
Red	1616	150	404	38	101	9	25	2	6	1	2	0
Green	3000	279	750	70	188	17	47	4	12	1	3	0
Blue	360	33	90	8	23	2	6	1	1	0	0	0
White	3800	353	950	88	238	22	59	6	15	1	4	0
R+G+B+W	7200	669	1800	167	450	42	113	10	28	3	7	1

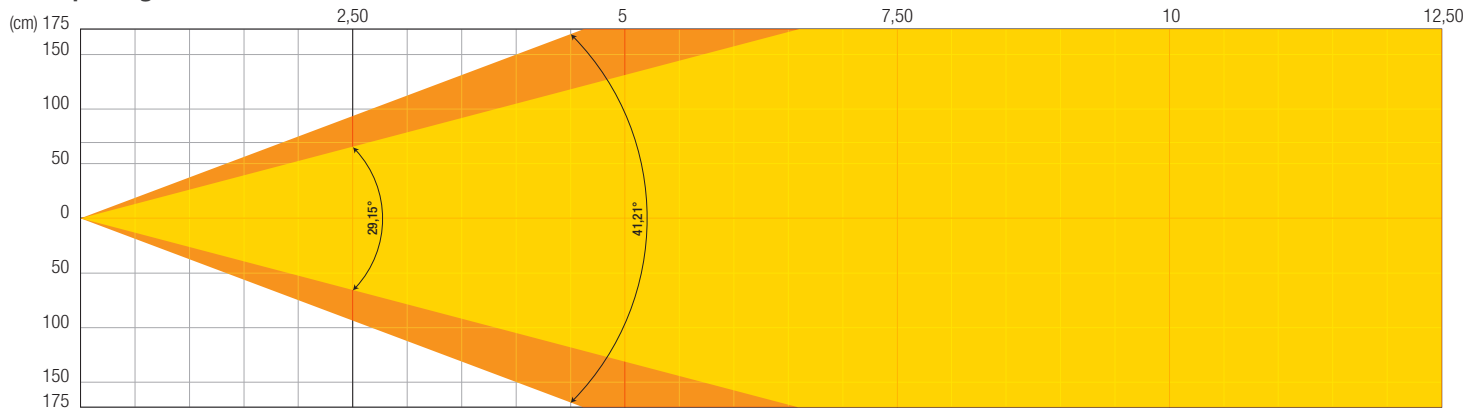
Illuminance distribution (5m)





MAX ZOOM

Beam opening (5m)



Diameter 1/2 peak (m) 2,6
Diameter 1/10 peak (m) 3,7

Intensity

Distance (m)	2,5		5		7,5		10		12,5		15	
unit	lux	FT CD	lux	FT CD	lux	FT CD	lux	FT CD	lux	FT CD	lux	FT CD
Red	624	58	156	14	39	4	10	1	2	0	1	0
Green	1156	107	289	27	72	7	18	2	5	0	1	0
Blue	136	13	34	3	9	1	2	0	1	0	0	0
White	1484	138	371	34	93	9	23	2	6	1	1	0
R+G+B+W	2696	250	674	63	169	16	42	4	11	1	3	0

Illuminance distribution (5m)

